



**WEAR PARTS**

**Selection,  
Innovation,  
Performance**

Your One-Stop Shop  
for Hydraulic Tools  
and Attachments



# PENGO AUGER SOIL CHART

Pengo has developed the chart below to help you decide which replacement part will be best suited for your project. The above triangles and color guide will be included with all products where applicable.



<b>1</b>	dirt; peat, organic silts, very loose sand, very soft, swamp, marsh	soil abrasion: low
<b>2</b>	sand; loose, fine sand; loess and medium clay, flood plain soils, lake clay	soil abrasion: medium
<b>3</b>	silt; coarse sand to stiff clay, dense hydraulic fill, compacted fill, residual soils	soil abrasion: high
<b>4</b>	clay; stiff to very stiff clay, glacial till, hard-pan, marls	soil abrasion: low to medium
<b>5</b>	gravel; basalt, very hard silts and clay, weathered laminated rock	soil abrasion: high
<b>6</b>	fracturable rock; caliche, coarse gravel and cobbles; frozen soil	soil abrasion: high
<b>7</b>	non-fracturable rock; granite, basalt, massive limestone	soil abrasion: high

## PENGO PARTS - TABLE OF CONTENTS

### PILOT BITS

DIRT ..... 3-9  
 ROCK.....10-13  
 TRIDENT™ ..... 14

### PILOT BIT DRIVE LUGS and ADAPTERS

DRIVE LUGS ..... 15  
 ADAPTERS .....16  
 BOX THREADS .....16

### AUGER TEETH

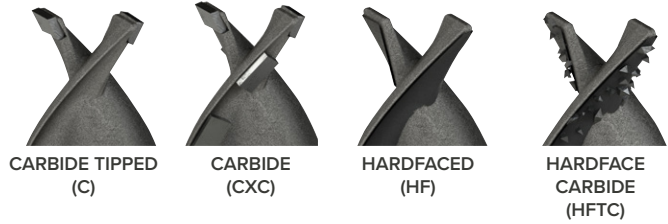
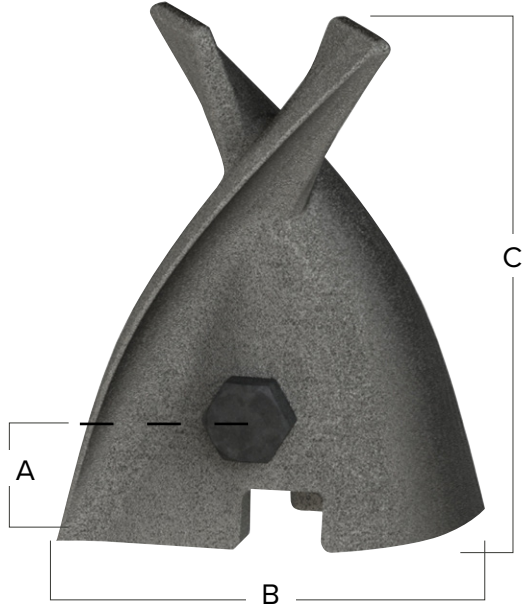
40/50 AGGRESSOR..... 17  
 FAS-N-LOK DIRT .....18-22  
 TAPER FIT DIRT .....23-24  
 DRAG-STYLE ..... 25  
 FAS-N-LOCK HOLDERS..... 26  
 TAPER FIT HOLDERS ..... 26  
 DRAG-STYLE HOLDERS..... 26  
 TRIDENT HOLDERS and TEETH .....27-29  
 CONICAL TEETH.....30-35  
 CONICAL HOLDERS .....36-37  
 CONICAL PULLERS ..... 38  
 BUCKET TEETH..... 39



# PILOT BITS DIRT

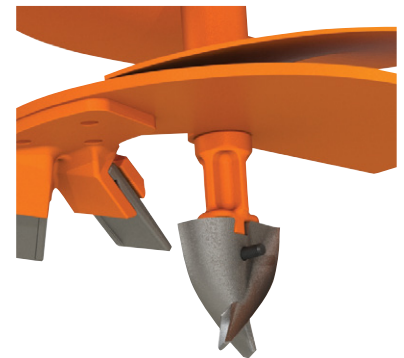


## PILOT BIT | Screw Bits



Fish-tail Pilot Bit Assembly  
Includes G5 5/16 Hex Bolt & Nut  
Use 140 S or 140-CS Pilot Adapter

ITEM	A	B	C	LBS	PN	WHERE USED	SOIL
SB-25		2.5"		.6	131740	CS Augers	1 2 3
SB-25C		2.5"		.6	132135		4 5
SB-25CXC		2.5"		.9	132758		2 4 5
SB-25HF		2.5"		1.5	132266		2 3 4
SB-25HFTC		2.5"		1.5	132590		2 4 5
SB-30		3"		1.4	131766	CS Augers	1 2 3
SB-30CXC		3"		1.5	131765		2 4 5
SB-30HF		3"		1.6	132359		2 3 4
SB-30HFTC		3"		1.6	133250		2 4 5
SB-35	1.25"	3.5"	4.13"	1.2	133402	CS Augers	1 2 3
SB-35C	1.25"	3.5"	4.13"	1.2	133403		4 5
SB-35HF	1.25"	3.5"	4.13"	2.1	133405		2 3 4
SB-35HFTC	1.25"	3.5"	4.13"	2.8	133406		2 4 5
SB-45		4.5"		3.0	133407	CS Augers	1 2 3
SB-45C		4.5"		3.1	133408		4 5
SB-45HF		4.5"		3.2	133410		2 3 4
SB-45HFTC		4.5"		3.2	133411		2 4 5

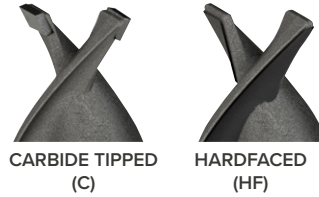
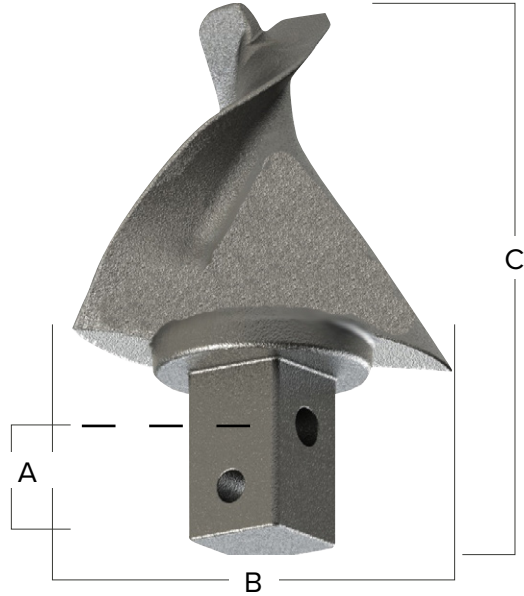


IMAGES NOT TO SCALE

# PILOT BITS DIRT



## PILOT BIT | SB-35SQ Screw Bits



Fish-tail Pilot Bit Assembly  
Includes G5 5/16 Hex Bolt & Nut  
Uses \_ Adapter

ITEM	A	B	C	LBS	PN	WHERE USED	SOIL
SB-35SQ	1.25"	3.69"	6.75"	3.2	136809	CS Augers	1 2 3
SB-35SQC	1.5"	3.69"	6.75"	4.0	136813		4 5
SB-35SQHF	1.5"	3.69"	6.75"	4.0	136816		2 3 4
SB-35SQHFCT	1.5"	3.69"	6.75"	4.0	136814		2 4 5

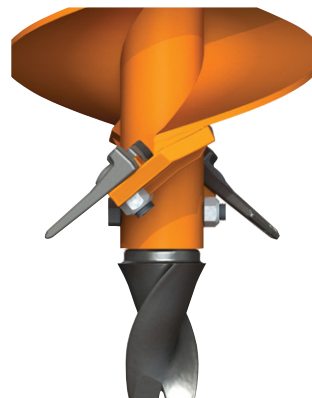
## PILOT BITS | Screw Bits

### SB-35 175 PILOT BIT

Dirt Pilot  
Fish-tail pilot  
Includes G5 5/16  
Hex Bolt & Nut  
Uses 1.75 Adapter

1 2 3
<b>SB-35 175</b>
LBS   3.9
PN   151318
AG Aggressor

<b>1.75 SQ Adapter</b>
LBS   4.23
PN   151593



IMAGES NOT TO SCALE

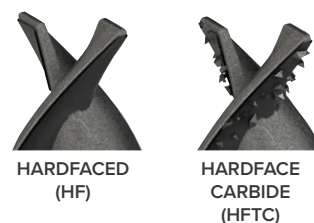
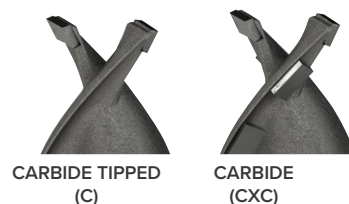
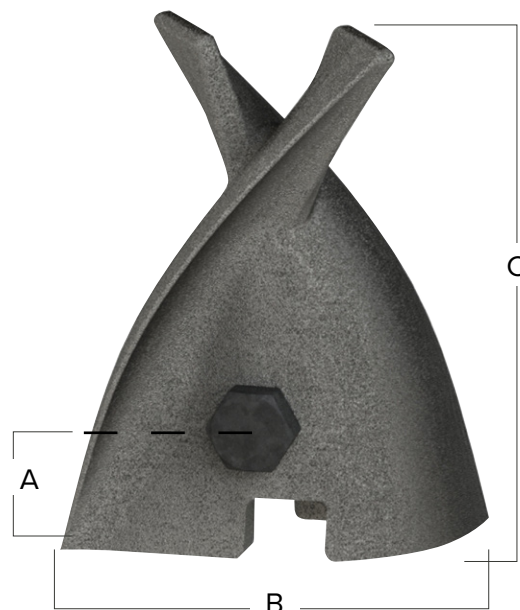
# PILOT BITS DIRT



## PILOT BIT | Screw Bits

### SB-50 thru SB-100 SCREW BITS

ITEM	A	B	C	LBS	PN	WHERE USED	SOIL
SB-50		5"	X"	3.4	131728	Utility Augers	1 2 3
SB-50C				3.4	131751		4 5
SB-50HF				3.6	132937		2 3 4
SB-50HFTC				3.1	132624		2 4 5
SB-60		6.25"	4.625"	4.4	132029	Utility Augers	1 2 3
SB-60C		6.25"	4.625"	4.6	132803		4 5
SB-60CXC		6.25"	4.625"	4.6	133252		2 4 5
SB-60HF		6.25"	4.625"	4.6	133251		2 3 4
SB-60HFTC		6.25"	4.625"	5.5	133254		2 4 5
SB-70				4.5	132185	Utility Augers	1 2 3
SB-70C				4.8	132368		4 5
SB-70HF				4.6	133256		2 3 4
SB-80				5.5	132198	Utility Augers	1 2 3
SB-80C				5.7	132638		4 5
SB-80CXC				6	133258		2 4 5
SB-80HFTC				6	133259		2 4 5
SB-90				5.8	132552	Utility Augers	1 2 3
SB-90CXC				5.8	133261		2 4 5
SB-90HF				5.8	132898		2 3 4
SB-90HFTC				5.8	133271		2 4 5
SB-100				6.3	132363	Utility Augers	1 2 3
SB-100C				6.4	132903		4 5



Fish-tail Pilot Bit Assembly  
Includes G5 5/16 Hex Bolt & Nut  
Uses 141L or PA-183L Pilot Adapter

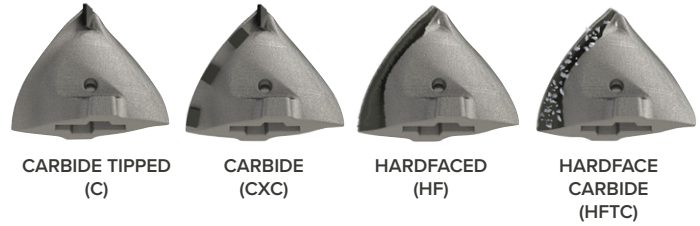
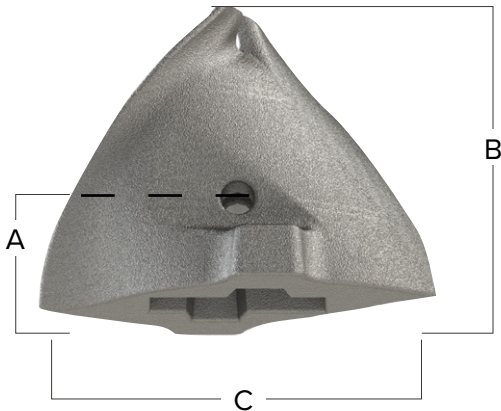
IMAGES NOT TO SCALE

# PILOT BITS DIRT



## PILOT BIT | Fish Tail Pilot Bits

### FH-205 SCREW BIT



Fish-tail pilot  
Includes G5 3/8-16 Hex Bolt & Nut  
Use PA-183 Adapter

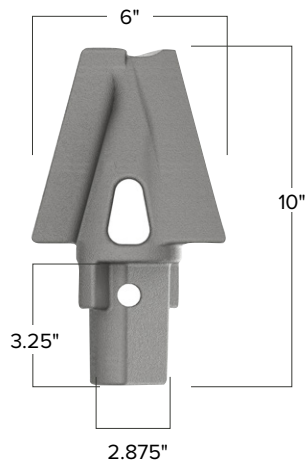
ITEM	A	B	C	LBS	PN	WHERE USED	SOIL
FH-205	1.3"	4.25"	4.88"	2.68	157382	Utility Augers	1 2 3
FH-205C	1.3"	4.25"	4.88"	2.8	132260		4 5
FH-205CXC	1.3"	4.25"	4.88"	2.8	132825		2 3 4
FH-205HF	1.3"	4.25"	4.88"	2.8	131725		2 3 4
FH-205HFTC	1.3"	4.25"	4.88"	2.8	133264		2 3 4

## PILOT BIT | Two-Fluted Pilot Bits

### FH-105 PILOT BIT

Dirt Pilot  
Fish-tail pilot with stem  
Includes G5 3/8-16  
Hex Bolt & Nut

1 2 3
FH-105
LBS   9
PN   131729
Utility Augers



### SD-60-175 PILOT BIT

2-Fluted Pilot Bit  
Includes G5 5/16  
Hex Bolt & Nut  
Uses 1.75 Adapter

1 2 3
SD-60 175
LBS   15
PN   135983
Foundation Augers



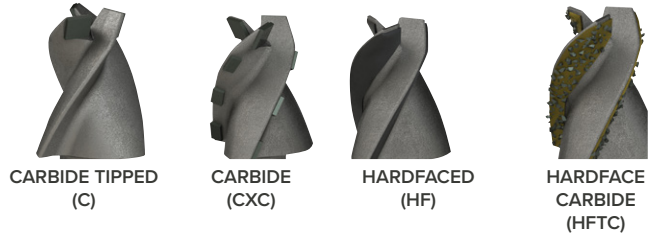
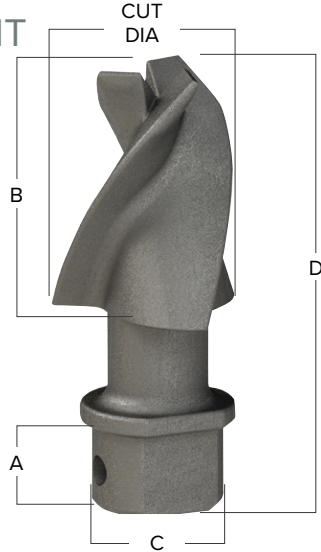
IMAGES NOT TO SCALE

# PILOT BITS DIRT



## PILOT BIT | TriFlow® Pilot Bits

### TF-350 PILOT BIT



Three-Fluted Pilot  
 \*Not sold as an assembly, nuts and bolts sold separately.

Don't Forget the Nuts & Bolts!

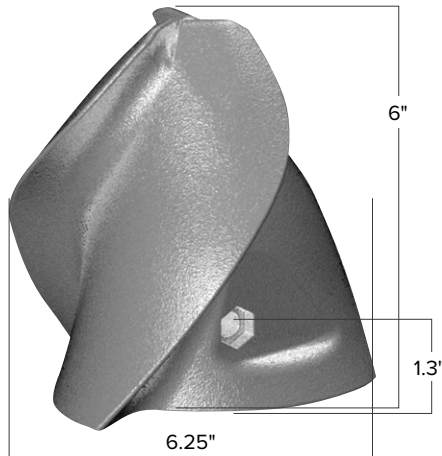


3.5" Hex Bolt (6"-9" dia.)  
 PN 174447  
 4" Hex Bolt (12" plus dia.)  
 PN 174448  
 Hex Nut Lock  
 PN 134527

ITEM	A	B	C	D	CUT	LBS	PN	WHERE USED	SOIL
TF-350	1.5"	4.25"	2.69"	7.75"	3.63"	5	135088	PTO, Landscape, and Standard Aggressor® Augers plus TriMax® Augers	1 2 3
TF-350C	1.5"	4.25"	2.69"	7.75"	3.63"	5.5	135090		4 5
TF-350CXC	1.5"	4.25"	2.69"	7.75"	3.63"	5.8	135091		2 4 5
TF-35HF	1.5"	4.25"	2.69"	7.75"	3.63"	5.5	135089		2 3 4
TF-350HFTC	1.5"	4.25"	2.69"	7.75"	3.63"	5.8	135092		2 4 5

### TF-600 PILOT BIT

Three-fluted pilot bit  
 Exclusive design provides longer life  
 Uses 141-L Drive Lug

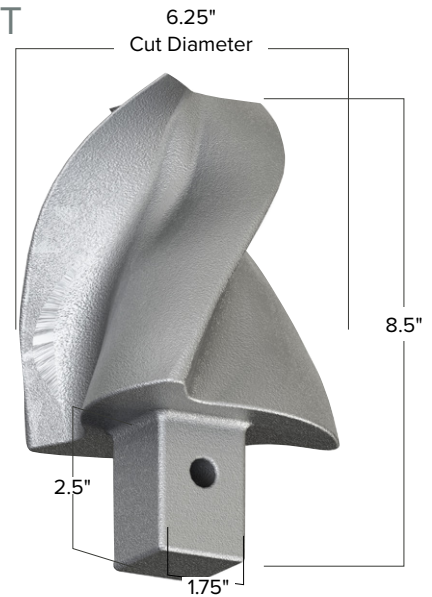


TF-600
LBS   8.5
PN   137357
Utility and Pressure Digger Augers

TF-600 with a PA-182 Adapter included | PN 137333  
 For 42" and 48" Dia. Utility Augers | PN 131792

### TF-600 PILOT BIT

Three-fluted pilot bit with 1 3/4" Square Stem  
 Exclusive design provides longer life  
 Uses 1.75 SQ Pilot Bit Adapter



TF-600 SQ
LBS   16
PN   137331
Utility and Pressure Digger Augers

TF-600 HFTC | PN 137338

IMAGES NOT TO SCALE

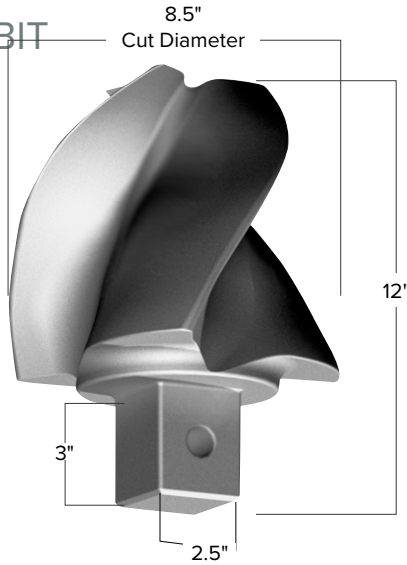
# PILOT BITS DIRT



## PILOT BIT | TriFlow® Pilot Bits

### TF-1000 PILOT BIT

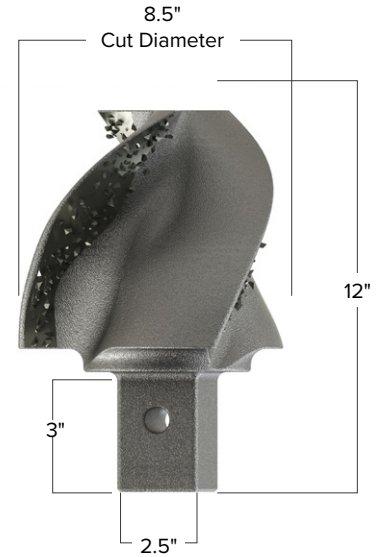
Three-fluted pilot bit  
 Exclusive design provides longer life  
 Uses 2.5 SQ Pilot Bit Adapter  
 Includes G5 3/4-10 Hex Bolt & Nut



TF-1000
LBS   43
PN   137348
Foundation Augers

### TF-1000 HFTC PILOT BIT

Three-fluted pilot bit  
 Exclusive design provides longer life  
 Uses 2.5 SQ Pilot Bit Adapter  
 Includes G5 3/4-10 Hex Bolt & Nut

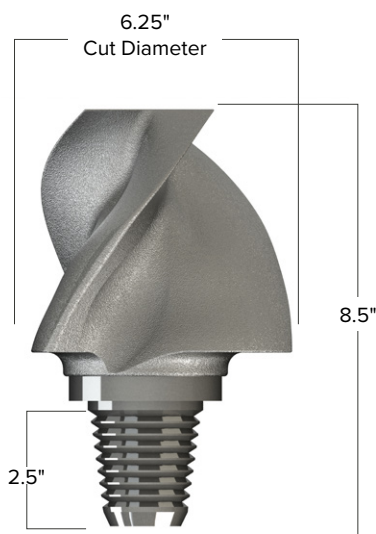


TF-1000 HFTC
LBS   45
PN   137339
Foundation Augers



### TF-600 PILOT BIT

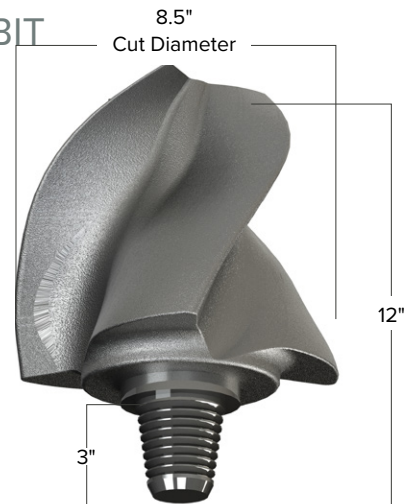
Three-fluted pilot bit  
 Exclusive design provides longer life  
 2 3/8" API



TF-600 API
LBS   42
PN   401202
Foundation Augers

### TF-1000 API PILOT BIT

Three-fluted pilot bit  
 Exclusive design provides longer life  
 2 3/8" API



TF-1000 API
LBS   42
PN   137377
Foundation Augers

IMAGES NOT TO SCALE



# PILOT BITS DIRT

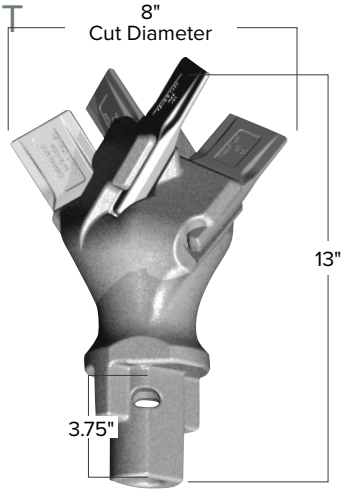


## PILOT BIT | Pilot Bits with Fas-N-Lok® Teeth

### P-1650 PILOT BIT

Dirt Pilot  
Includes G5 1/2-14  
Hex Bolt & Nut  
Includes 2 - 1851 and  
2 -1652 Gage  
Fas-N-Lok® Teeth

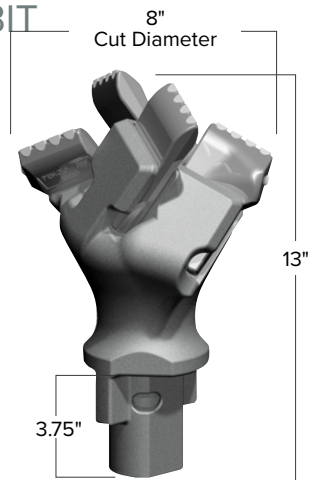
<b>P-1650</b>
<b>LBS   22</b>
<b>PN   131726</b>
Utility Augers



### P-1656 PILOT BIT

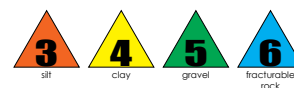
Carbide Pilot  
Includes G5 1/2-14  
Hex Bolt & Nut  
Includes 2 - 1851 and  
2 -1652 Gage  
Fas-N-Lok® Teeth

<b>P-1656</b>
<b>LBS   24</b>
<b>PN   131727</b>
Utility Augers



IMAGES NOT TO SCALE

# PILOT BITS STEP ROCK



## PILOT BIT | TCH or Tungsten Carbide Head

Tungsten Carbide Head

Includes G5 3/8 -16 X2  
3/4" Hex Bolt & Nut

Uses 141-M Pilot Bit  
Adapter



ITEM	A	B	C	LBS	PN	WHERE USED	SOIL
5.0-TCH-171				6	199220	Utility Rock	
5.5-TCH-171				6.1	199223	Utility Rock	
8.5-TCH-171				9.75	133269	Utility Rock	
9.5-TCH-171				11	133270	Utility Rock	

## PILOT BIT | Step Rock Pilot

### P-6000 PILOT BIT

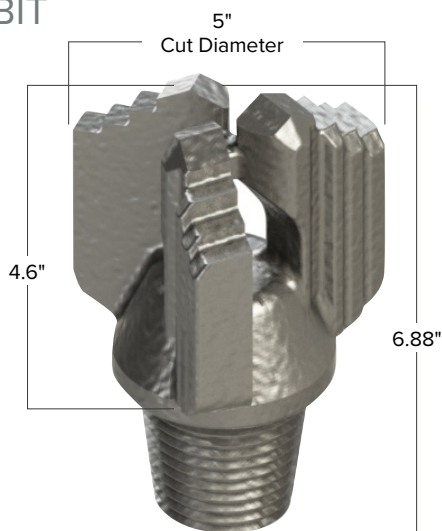
2 3/8" API Pilot Bit

4 Step Pilot

Includes G5 3/8 -16 X2  
3/4" Hex Bolt & Nut

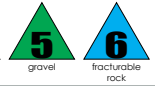
2 3/8" Box Thread Adapter

9.5-TCH-171
LBS   8
PN   151275
Utility Step Rock Augers



IMAGES NOT TO SCALE

# PILOT BITS ROCK



## PILOT BIT | Rock Ripper®

### RR-1.75 SQ PILOT BIT

1 3/4" Square Stem  
Includes 4 - Strata® SR76SW Conical Teeth  
Includes G5 1/2 -13 Hex Bolt & Nut  
Uses 1.75 Pilot Bit Adapter



<b>RR-1.75SQ</b>
<b>LBS</b>   15
<b>PN</b>   137208
Severe Rock Ripper® and Utility Rock Ripper® Augers

*RRP-1.75 SQ Cast Pilot Bit Assembly | PN 137204*



### RRP-API PILOT BIT

2 3/8" API Screw In Pilot  
Cast Pilot Bit  
Includes 4 - Strata® SR76SW Conical Teeth

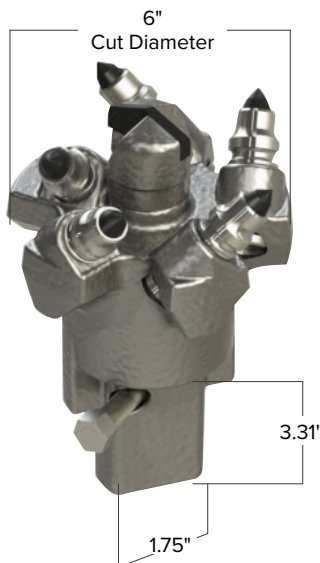


<b>RRP-API</b>
<b>LBS</b>   17
<b>PN</b>   157406
Severe Rock Ripper® and Utility Rock Ripper® Augers

## PILOT BIT | Rock Pilot

### RCP-6.5 PILOT BIT

1 3/4" Square Stem  
Includes 5 - SL-02 Teeth  
Center Point 18  
Includes G5 1/2 -13 Hex Bolt & Nut  
Uses 1.75 Pilot Bit Adapter



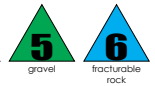
<b>RCP-6.5</b>
<b>LBS</b>   18
<b>PN</b>   132116
Utility Augers

*RCP-6.5 available with Center Point 16  
Contact Sales for details.*



IMAGES NOT TO SCALE

# PILOT BITS ROCK



## PILOT BIT | Rock

### C31HD-8.5 PILOT BIT

2 1/2" Square Stem

Includes 4 - Strata® SR100 Conical Teeth

Includes G5 3/4 -10 Pin & Washer

Uses S-250 Pilot Bit Adapter



<b>C31HD-8.5</b>
<b>LBS   30</b>
<b>PN   135913</b>
Foundation Augers

### C31HD-8.5 PILOT BIT

2 1/2" Square Stem

Includes 4 - Strata® SR100 Conical Teeth

Includes G5 3/4 -10 Hex Nut & Bolt

Uses S-250 Pilot Bit Adapter



<b>C31HD-8.5</b>
<b>LBS   32</b>
<b>PN   135939</b>
Foundation Augers

### C31HD-8.5 HFCH PILOT BIT

2 1/2" Square Stem

Includes 4 - Strata® SR100 Conical Teeth

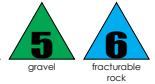
Includes Pin & Washer



<b>C31HD-8.5 HFCH</b>
<b>LBS   32</b>
<b>PN   135912</b>
Foundation Augers

IMAGES NOT TO SCALE

# PILOT BITS ROCK



## PILOT BIT | Rock

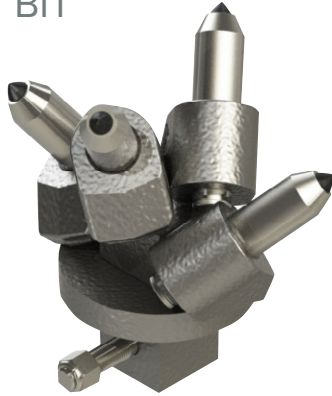
### SR-104HF PILOT BIT

2 1/2" Square Stem

Includes 4 - Strata® SR104 Conical Teeth

Includes G5 3/4 -10 Hex Bolt & Nut

Uses S-250 Pilot Bit Adapter



<b>SR-104HF</b>
<b>LBS   30</b>
<b>PN   135971</b>
Foundation Augers

Same as C4-1 Pilot Bit Assembly

C4-1 A2 3/8 API Available | PN 135911

### S4-1 HD PILOT BIT

4" Square Stem

Includes 4 - Strata® SR104 Conical Teeth

Includes G 1-8 x 9 1/2 Hex Bolt & Nut

Uses S-400 Pilot Bit Adapter



<b>S4-1HD</b>
<b>LBS   37</b>
<b>PN   1001277</b>
Foundation Augers

### B47-10 PILOT BIT

4" Square Stem

Includes 4 - Strata® SR122 Conical Teeth

Includes G 1-8 x 9 1/2 Hex Bolt & Nut

Uses S-400 Pilot Bit Adapter



<b>B47-10</b>
<b>LBS   72</b>
<b>PN   135965</b>
Foundation Augers



IMAGES NOT TO SCALE

# PILOT BITS ROCK



## PILOT BIT | TRIDENT Series

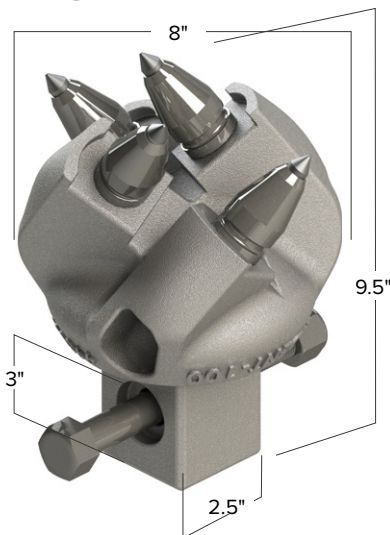
### TRIDENT SR-100 PILOT BIT

2 1/2" Square Stem

Includes 4 - Strata® SR100 Conical Teeth

Includes G5 3/4 -10 Hex Bolt & Nut

Uses S-250 Pilot Bit Adapter



TRIDENT SR-100 PILOT

LBS | 30

PN | 990127

Utility, Foundation and ACIP Augers

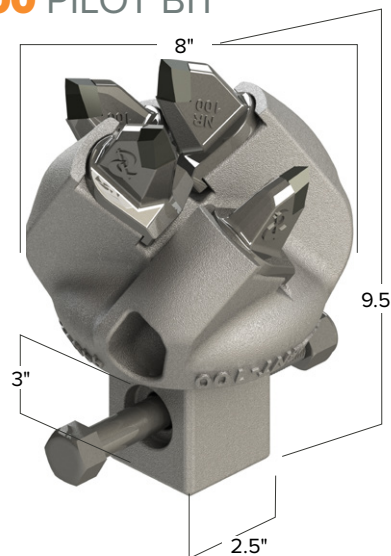
### TRIDENT NR-100 PILOT BIT

2 1/2" Square Stem

Includes 4 - Triden NR100 Radial Teeth

Includes G5 3/4 -10 Hex Bolt & Nut

Uses S-250 Pilot Bit Adapter



TRIDENT NR-100 PILOT

LBS | 37

PN | 990128

Utility, Foundation and ACIP Augers

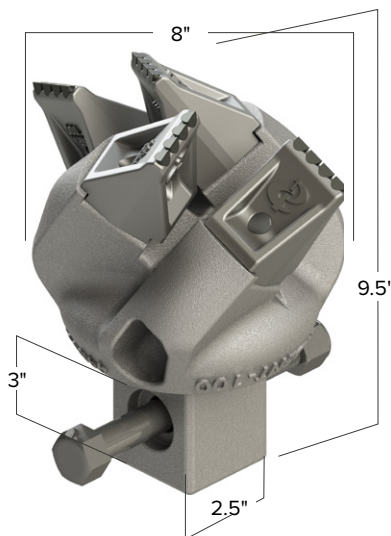
### TRIDENT NRW-100 PILOT BIT

2 1/2" Square Stem

Includes 4 - Triden NRW100 Non-Rotating Wedge Teeth

Includes G5 3/4 -10 Hex Bolt & Nut

Uses S-250 Pilot Bit Adapter



TRIDENT NRW-100 PILOT

LBS | 72

PN | 990129

Utility, Foundation and ACIP Augers

# TRIDENT™

U.S. PATENT NO. D778,967

IMAGES NOT TO SCALE

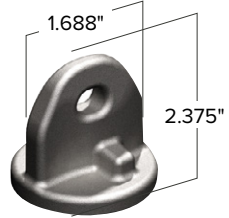
# PILOT BIT ADAPTERS

## DRIVE LUGS | for Pilot Bits

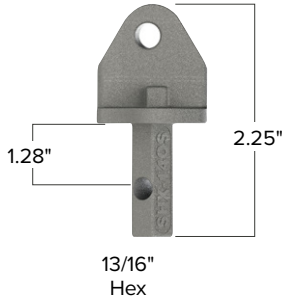
<b>140CS Drive Lug</b>
LBS   1
PN   151930
SB-25, SB-30 Pilot Bits



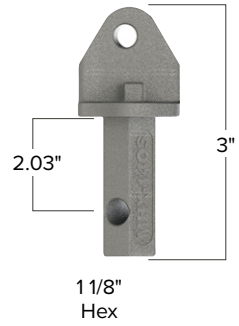
<b>140S Drive Lug</b>
LBS   1
PN   151940
SB-25, SB-30 Pilot Bits



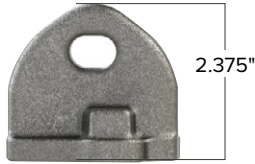
<b>SHX-140-S</b>
LBS   1
PN   151980
SB-25, SB-30 Pilot Bits



<b>MHX-140-S</b>
LBS   1
PN   151990
SB-25, SB-30 Pilot Bits



<b>141-R Drive Lug</b>
LBS   .7
PN   151956
SB-35, SB-45, and 375-TCH-171 Pilot Bits



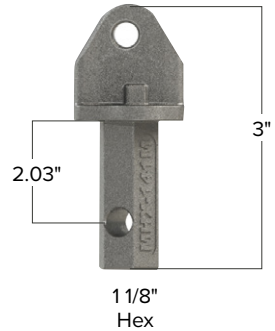
<b>141-L Drive Lug</b>
LBS   1.3
PN   151970
SB-50 and larger Pilot Bits



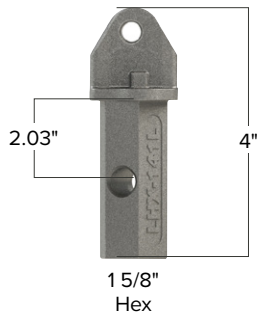
<b>141-MT Drive Lug</b>
LBS   3.9
PN   151960
SB-35, SB-45 Pilot Bits



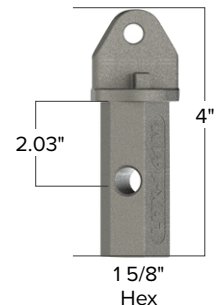
<b>MHX-141-M</b>
LBS   1.5
PN   152000
SB-35, SB-45 Pilot Bits



<b>LHX-141-L</b>
LBS   3.5
PN   152030
SB-50 and larger Pilot Bits



<b>LHX-141-M</b>
LBS   3.5
PN   152020
SB-35, SB-45 Pilot Bits

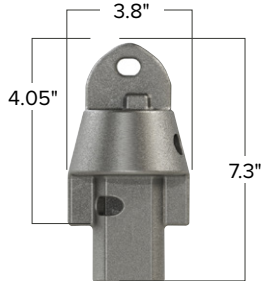


IMAGES NOT TO SCALE

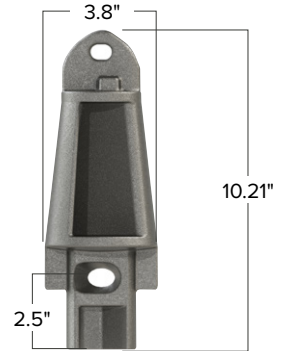
# PILOT BIT ADAPTERS

## PILOT ADAPTERS | for Pilot Bits

<b>PA-182-L</b>
<b>LBS   4.3</b>
<b>PN   151100</b>
SB-50 and larger, FH-205, TF-600 Pilot



<b>PA-183-L</b>
<b>LBS   8</b>
<b>PN   151110</b>
SB-50 and larger, FH-205, TF-600 Pilot

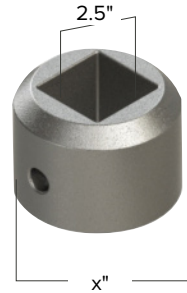


## SQUARE ADAPTERS | for Pilot Bit with Stems

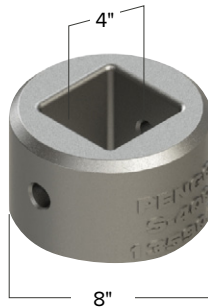
<b>1.75 Pilot Adapter</b>
<b>LBS   4.3</b>
<b>PN   151593</b>
SB-35 1.75 SQ



<b>S-250 Pilot Adapter</b>
<b>LBS   18</b>
<b>PN   151598</b>
TF-1000, C31HD, SR-104 and TriDent™ Pilots



<b>S-400 Pilot Adapter</b>
<b>LBS   43</b>
<b>PN   135904</b>
B-47 and S4-1 HD Pilots



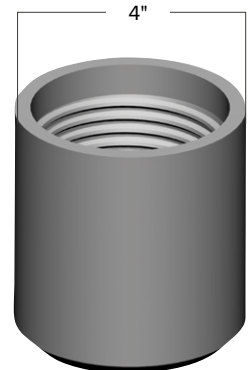
## BOX THREADS | for API Pilot Bits

Fits Pilots with 2 3/8" API

<b>3 1/2" OD</b>
<b>LBS   6.1</b>
<b>PN   132191</b>
RRP-API, P-6000, TF-600 and TF-1000 API Pilots



<b>4" OD</b>
<b>LBS   7</b>
<b>PN   151193</b>
RRP-API, P-6000, TF-600 and TF-1000 API Pilots



IMAGES NOT TO SCALE

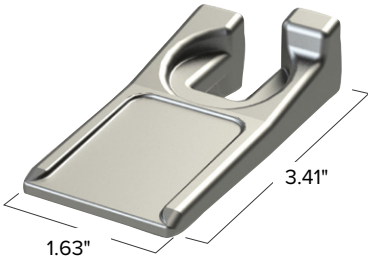


# AUGER TEETH DIRT

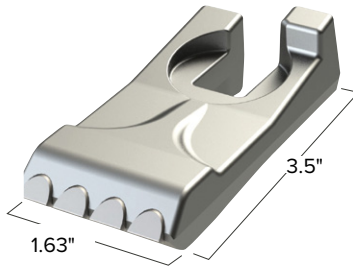


## DIRT TEETH | for Aggressor® Augers

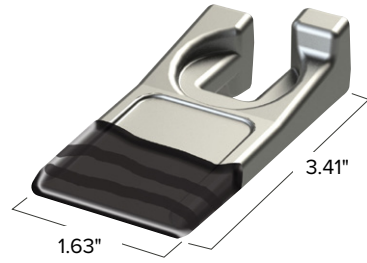
### 40/50 DIRT TEETH



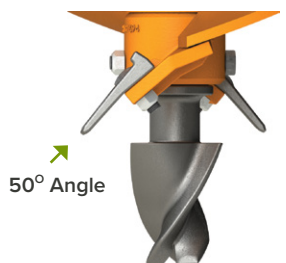
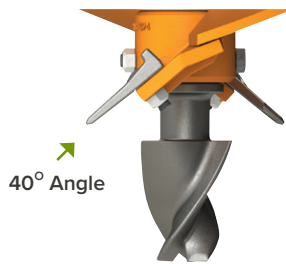
40/50
LBS   .5
PN   134501
BKT QTY   100
Aggressor® Augers



40/50C
LBS   .6
PN   134519
BKT QTY   25
Aggressor® Augers



40/50HFF
LBS   .6
PN   134802
BKT QTY   25
Aggressor® Augers



AGGRESSOR® auger teeth are for use in dirt, abrasive soil or fracturable rock, depending on the type of tooth you are using. All types of the 40/50 tooth can be used at either a 40° or 50° angle providing different attack angles based on your drilling condition.

IMAGES NOT TO SCALE

### THE NUTS & BOLTS

The 40/50 Teeth require a special carriage bolt and nut to secure the tooth to the AGGRESSOR® auger. These are not included with the teeth.

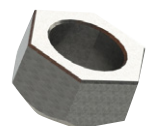
#### Carriage Bolt

LBS | .6  
PN | 134677



#### Nut Lock

LBS | .6  
PN | 134527



# AUGER TEETH DIRT

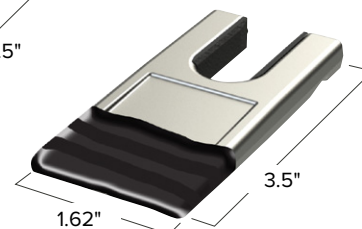
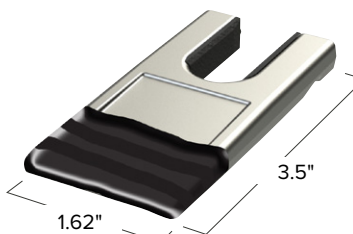
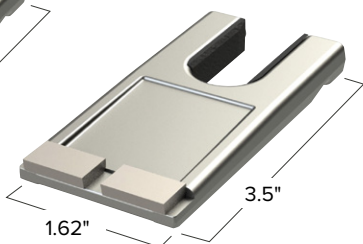
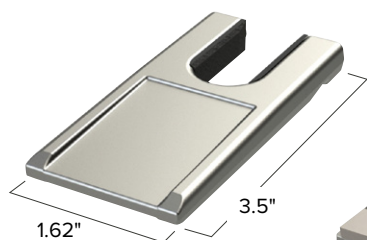


## DIRT TEETH | FAS-N-LOK®

### 35 SERIES FAS-N-LOK® TEETH

Use Holders: T35 and T36

Developed in 2008, the only tooth of its kind, the Fas-N-Lok® tooth comes complete with vulcanized rubber attached to the tooth, providing quick and easy installation.



<b>35</b>
LBS   .4
PN   133835
BKT QTY   100
CS, TriMax® Augers

<b>35C</b>
LBS   .4
PN   140007
BKT QTY   50
CS, TriMax® Augers

<b>35HF</b>
LBS   .4
PN   140008
BKT QTY   50
CS, TriMax® Augers

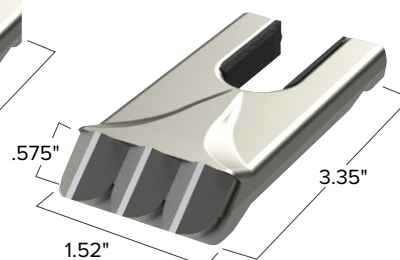
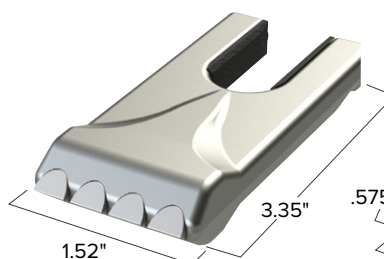
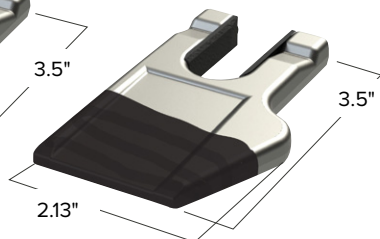
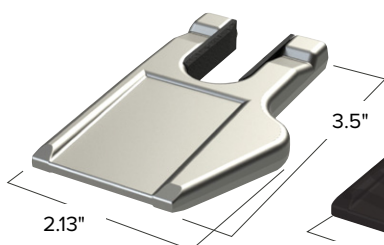
<b>35HFF</b>
LBS   .6
PN   140009
BKT QTY   50
CS, TriMax® Augers

### 37 SERIES FAS-N-LOK® TEETH

Use Holders: T35 and T36

### RIDGE BREAKER FAS-N-LOK® TEETH

Use Holders: T35 and T36



<b>37</b>
LBS   .5
PN   140027
BKT QTY   50
CS, TriMax® Augers

<b>37HF</b>
LBS   .6
PN   140010
BKT QTY   50
CS, TriMax® Augers

<b>1336L</b>
LBS   .6
PN   140016
BKT QTY   100
CS, TriMax® Augers

<b>RB-36L</b>
LBS   .6
PN   140021
BKT QTY   100
CS, TriMax® Augers

IMAGES NOT TO SCALE

# AUGER TEETH DIRT

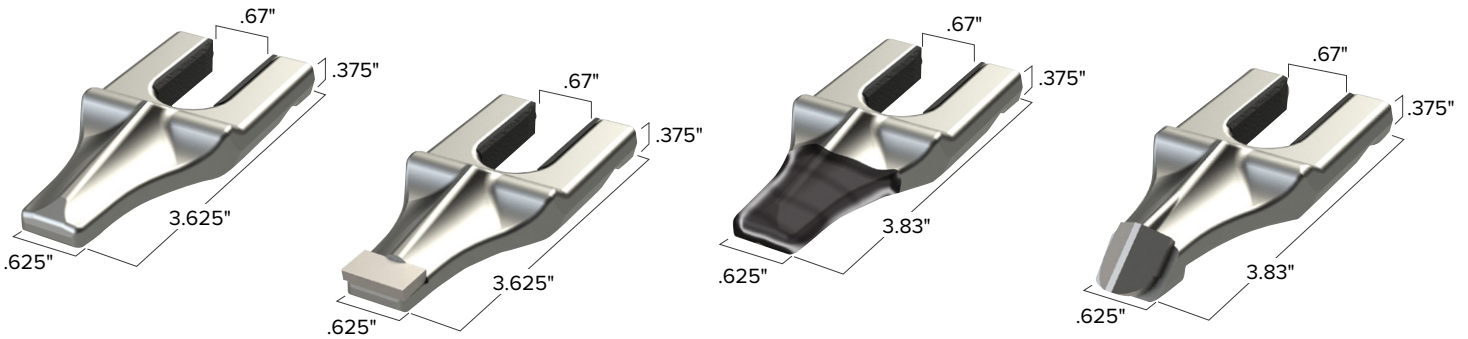


## DIRT TEETH | FAS-N-LOK®

### 5T30 SERIES FAS-N-LOK® TEETH

Use Holders: T35 and T36

Developed in 2008, the only tooth of its kind, the Fas-N-Lok® tooth comes complete with vulcanized rubber attached to the tooth, providing quick and easy installation.



<b>5T30</b>
LBS   .4
PN   140029
BKT QTY   100
CS, TriMax® Augers

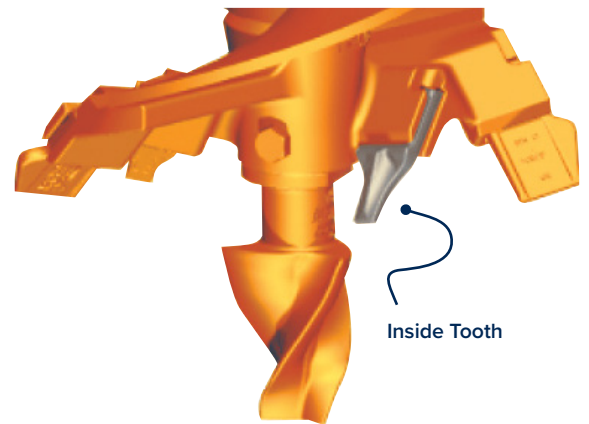
<b>5T30C</b>
LBS   .4
PN   140012
BKT QTY   50
CS, TriMax® Augers

<b>5T30HF</b>
LBS   .4
PN   140014
BKT QTY   50
CS, TriMax® Augers

<b>RB5T30</b>
LBS   .6
PN   140013
BKT QTY   100
CS, TriMax® Augers



Pictured Left  
TriMax® Auger with  
37 Gage and 5T30  
Fas-N-Lok® Teeth  
drilling in frozen soil.



#### CHISEL POINT TEETH

Easily penetrates compacted soil, sandstone, hardpan, and caliche. Chisel Point Teeth are to be used in the inside holders of the auger head..

IMAGES NOT TO SCALE

# AUGER TEETH DIRT



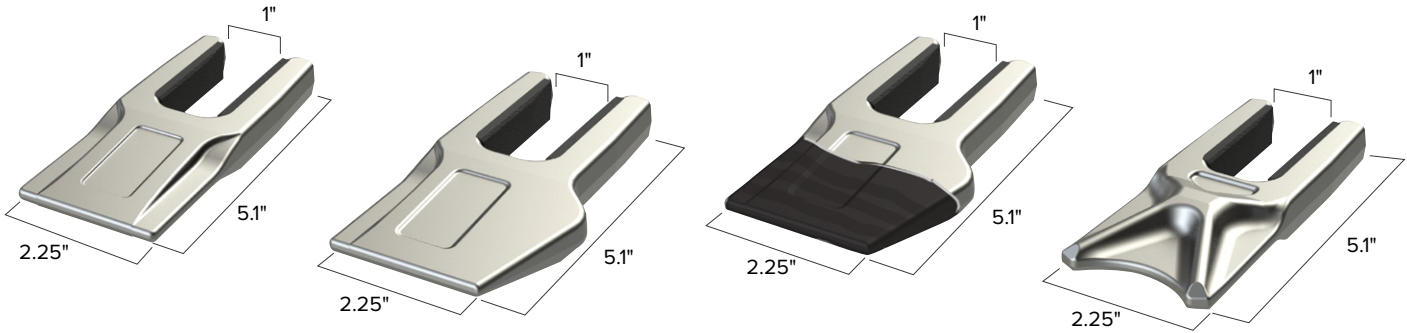
## DIRT TEETH | FAS-N-LOK®

Developed in 2008, the only tooth of its kind, the Fas-N-Lok® tooth comes complete with vulcanized rubber attached to the tooth, providing quick and easy installation.



### 1650 SERIES FAS-N-LOK® TEETH

Use Holders: 1XS, BT-100, WT-50



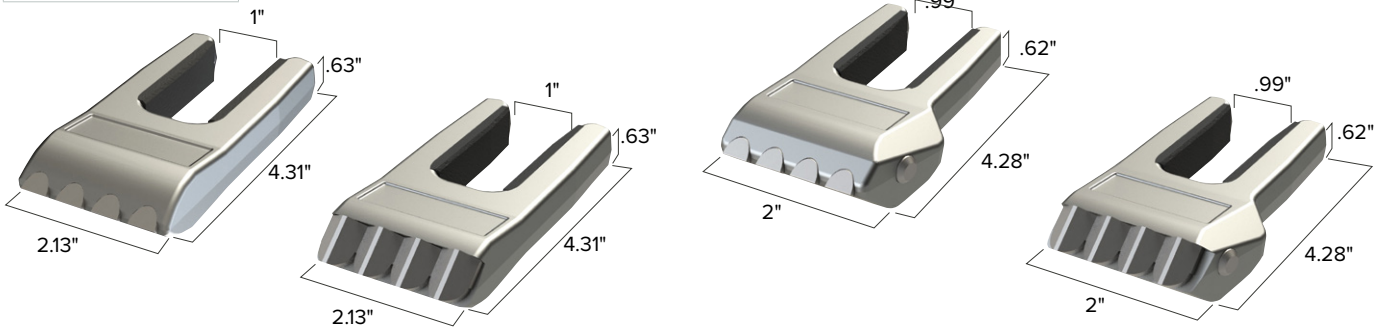
<b>1650</b>
LBS   .5
PN   140200
BKT QTY   50
Utility Augers

<b>1652</b>
LBS   1.1
PN   140020
BKT QTY   50
Utility Augers

<b>1652HF</b>
LBS   1
PN   140086
BKT QTY   50
Utility Augers

<b>1851</b>
LBS   .5
PN   140017
BKT QTY   50
Utility Augers

<b>50 PC. BUCKET</b>
LBS   25
PN   850219



<b>1656</b>
LBS   .6
PN   140005
BKT QTY   25
Utility Augers

<b>RB56</b>
LBS   .6
PN   140022
BKT QTY   25
Utility Augers

<b>1658</b>
LBS   .6
PN   140006
BKT QTY   25
Utility Augers

<b>RB58</b>
LBS   .6
PN   140015
BKT QTY   25
Utility Augers

<b>25 PC. BUCKET</b>
LBS   15
PN   850204

<b>25 PC. BUCKET</b>
LBS   15
PN   850220

<b>25 PC. BUCKET</b>
LBS   15
PN   850205

<b>25 PC. BUCKET</b>
LBS   15
PN   850221

IMAGES NOT TO SCALE

# AUGER TEETH DIRT

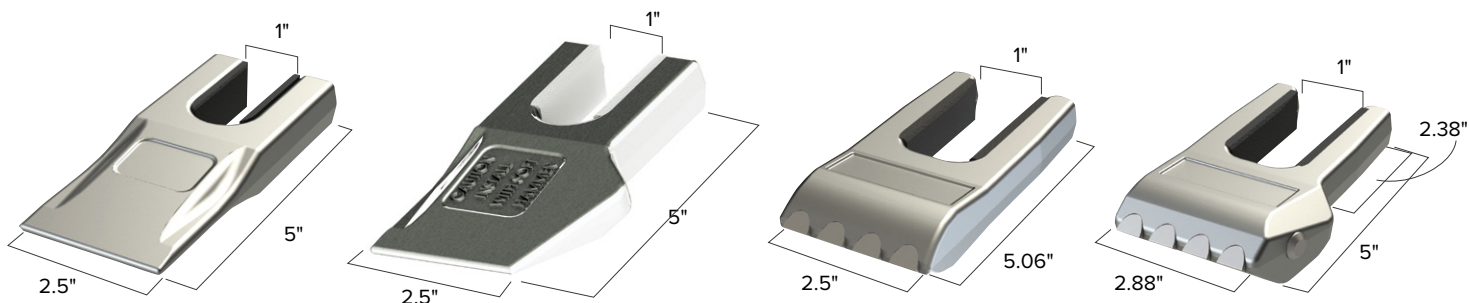


## DIRT TEETH | FAS-N-LOK®



### 2070 SERIES FAS-N-LOK® TEETH

Use Holders: 1ASR, WA70, FA70

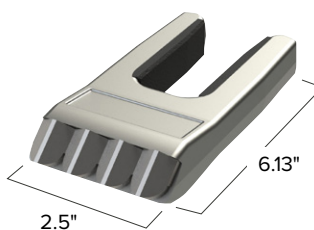


<b>2070</b>
LBS   2
PN   140002
BKT QTY   20
Pressure Digger Augers
<b>20 PC. BUCKET</b>
LBS   40
PN   850222

<b>2072</b>
LBS   2.3
PN   140000
BKT QTY   20
Pressure Digger Augers
<b>20 PC. BUCKET</b>
LBS   46
PN   850223

<b>2077</b>
LBS   2.3
PN   140003
BKT QTY   20
Pressure Digger Augers

<b>2078</b>
LBS   2.4
PN   140004
BKT QTY   20
Pressure Digger Augers



<b>2079</b>
LBS   .6
PN   140001
BKT QTY   20
Pressure Digger Augers

IMAGES NOT TO SCALE

# AUGER TEETH DIRT

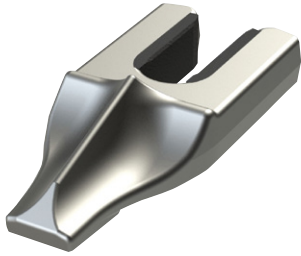


## DIRT TEETH | FAS-N-LOK®



### R55 SERIES FAS-N-LOK® TEETH

Use Holders: B-255, C-355, E-555



<b>7R55</b>
LBS   1
PN   140018
BKT QTY   50
Pressure Digger & Foundation Augers

<b>16R55</b>
LBS   1
PN   140019
BKT QTY   50
Pressure Digger & Foundation Augers

<b>16R51</b>
LBS   1.1
PN   140509
BKT QTY   50
Pressure Digger & Foundation Augers



Released in 1984 the 16R51 Bident Tooth was developed with a thin profile for easy penetration and cross-ribbing of points for added strength to break out compacted soils. The "web" of metal between the ribs carries dirt out of the hole. The above teeth are forged of high alloy steel and heat treated for hardness.

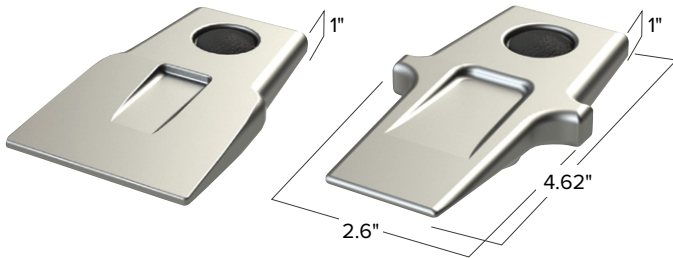
IMAGES NOT TO SCALE

# AUGER TEETH TAPER FIT



## DIRT TEETH | Taper Fit

Use Holders: WO-1



<b>60</b>
LBS   1
PN   170006
BKT QTY   50
Foundation Augers

<b>70</b>
LBS   1
PN   170020
BKT QTY   50
Foundation Augers

## TOOLS | For Install and Removal



**Soft Hammer**  
LBS | 3.5  
PN | 137737



**Horseshoe Nail**  
LBS | .4  
PN | 137620



**Drift Punch**  
LBS | 1  
PN | 137750

The Horseshoe Nail is used to secure taper fit teeth in holder.

## DIRT TEETH | Taper Fit

Use Holders: WO-12



<b>80</b>
LBS   2
PN   170008
BKT QTY   25
Foundation Augers

<b>80C</b>
LBS   2
PN   170003
BKT QTY   12
Foundation Augers

<b>90P</b>
LBS   2
PN   134855
BKT QTY   25
Foundation Augers

<b>SZ-90P</b>
LBS   2
PN   134792
BKT QTY   12
Foundation Augers

<b>95P</b>
LBS   2
PN   170015
BKT QTY   25
Foundation Augers

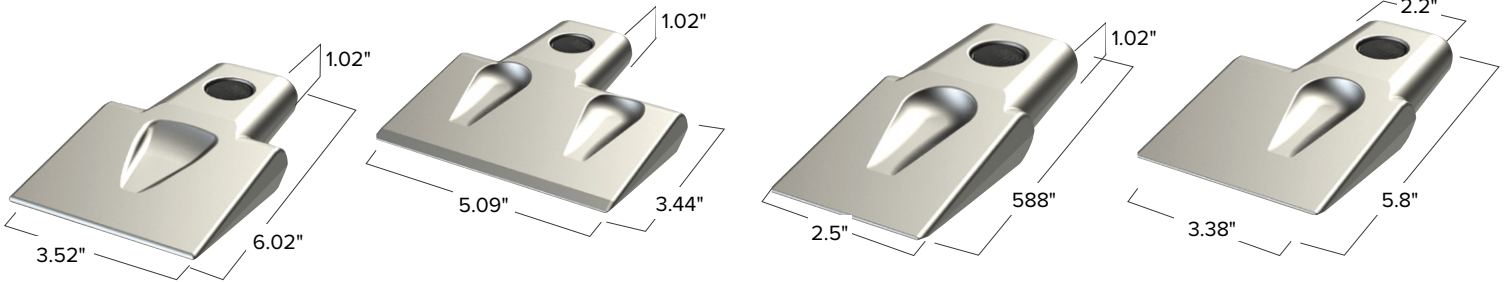
IMAGES NOT TO SCALE

# AUGER TEETH TAPER FIT



## DIRT TEETH | Taper Fit

Use Holders: WO-5, WO-5HDS, WO-8

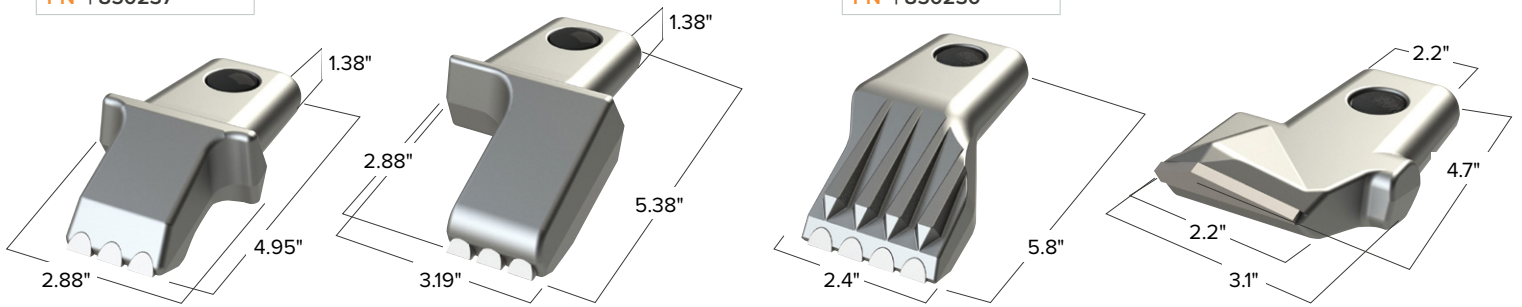


<b>132</b>
LBS   2
PN   134406
BKT QTY   20
Foundation Augers
20 PC. BUCKET
LBS   40
PN   850236
900 PC. PALLET
LBS   1800
PN   850237

<b>134</b>
LBS   2
PN   134411
BKT QTY   14
Foundation Augers

<b>201</b>
LBS   2.1
PN   170030
BKT QTY   20
Foundation Augers
20 PC.
LBS   40
PN   850226
1040 PC. Pallet
LBS   2184
PN   850230

<b>211</b>
LBS   2.9
PN   170034
BKT QTY   20
Foundation Augers



<b>SZ210</b>
LBS   2.5
PN   170032
BKT QTY   15
Foundation Augers

<b>SZ211</b>
LBS   2
PN   170039
BKT QTY   15
Foundation Augers

<b>299</b>
LBS   2.8
PN   134659
BKT QTY   20
Foundation Augers

<b>PFC-2</b>
LBS   2
PN   140112
BKT QTY   25
Foundation Augers

20 PC. Bucket	900 PC. Pallet
LBS   56	LBS   2520
PN   850228	PN   850231

IMAGES NOT TO SCALE

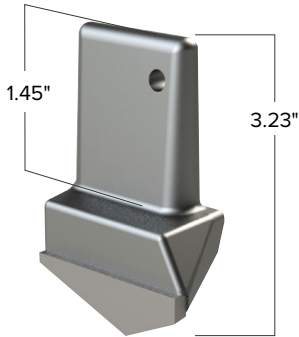


# AUGER TEETH DRAG-STYLE



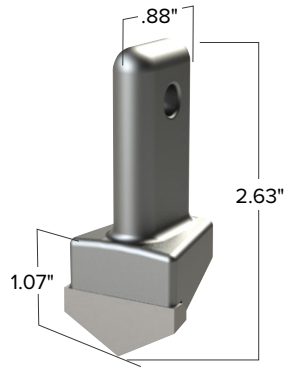
## CARBIDE TEETH | Drag-Style Teeth

Use Holders: PFC-5H



<b>PFC5</b>
<b>LBS</b>   1
<b>PN</b>   140115
<b>BKT QTY</b>   50
Utility Step Augers

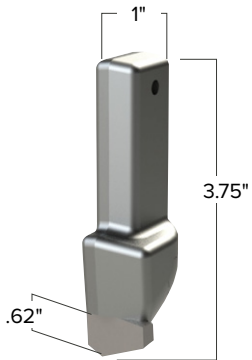
Use Holders: H-10



<b>CB-10</b>
<b>LBS</b>   .8
<b>PN</b>   140055
<b>BKT QTY</b>   100
Utility Step Augers



Use Holders: PFC-5H



<b>604C</b>
<b>LBS</b>   .55
<b>PN</b>   140065
<b>BKT QTY</b>   50
Utility Step Augers

Use Holders: H-10



<b>CU-7</b>
<b>LBS</b>   .55
<b>PN</b>   134084
<b>BKT QTY</b>   100
Utility Step Augers

Use Holders: CJ-2



<b>SJ-2</b>
<b>LBS</b>   .69
<b>PN</b>   850028
<b>BKT QTY</b>   50
Utility Step Augers



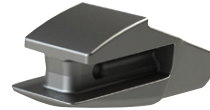
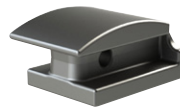
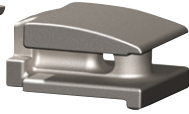
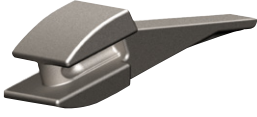
<b>P-10 Roll Pin</b>
<b>LBS</b>   .1
<b>PN</b>   137610
Drag Teeth

IMAGES NOT TO SCALE

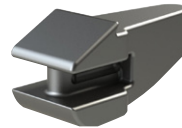
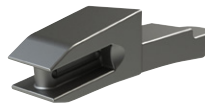
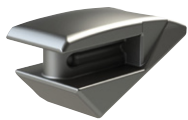
# AUGER TEETH HOLDERS



## HOLDERS | For FAS-N-LOK®

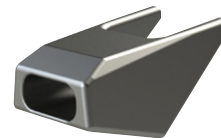
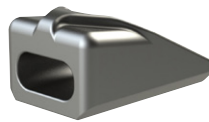
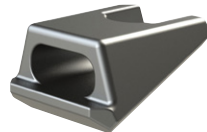
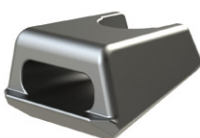
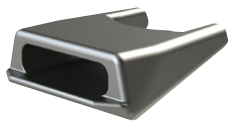


<b>T35 Angled</b>	<b>T36 Straight</b>	<b>1XS</b>	<b>BT-100</b>	<b>WT-50</b>	<b>1ASR</b>
LBS   1	LBS   .5	LBS   1.6	LBS   .5	LBS   2.5	LBS   2.4
PN   171221	PN   171231	PN   157010	PN   157300	PN   158115	PN   156980
35 Series, 37 Series, 1136L, RB36C, 5T30 Series, RB5T30	35 Series, 37 Series, 1136L, RB36C, 5T30 Series, RB5T30	1650, 1652 Series, 1851, 1656, 1658, RB56, RB58	1650, 1652 Series, 1851, 1656, 1658, RB56, RB58	1650, 1652 Series, 1851, 1656, 1658, RB56, RB58	2070, 2072, 2077, 2078, 2079



<b>WA-70</b>	<b>B-255</b>	<b>C-355</b>	<b>E-555</b>
LBS   2	LBS   2.5	LBS   3	LBS   2.5
PN   158120	PN   155000	PN   155010	PN   154990
2070, 2072, 2077, 2078, 2079	7R55, 7R51, 16R55, 16R51	7R55, 7R51, 16R55, 16R51	7R55, 7R51, 16R55, 16R51

## HOLDERS | For Taper Fit Teeth



<b>WO-1</b>	<b>WO-12</b>	<b>WO-5</b>	<b>WO-5HDS</b>	<b>WO-8</b>
LBS   1.5	LBS   2.8	LBS   2.5	LBS   3	LBS   2.5
PN   171565	PN   171570	PN   171575	PN   171574	PN   171577
60, 70	80, 80C, 90, SZ90P, 95P	132, 134, 201, 211, SZ210, SZ211, 299, PFC-2	132, 134, 201, 211, SZ210, SZ211, 299, PFC-2	132, 134, 201, 211, SZ210, SZ211, 299, PFC-2

## HOLDERS | For Drag Style Teeth



<b>H-10</b>	<b>PFC-5H</b>	<b>CJ-2</b>	<b>1604</b>
LBS   .28	LBS   1.5	LBS   1.5	LBS   .6
PN   157025	PN   157027	PN   134098	PN   157000
CB-10, CU-7	PFC-5	SJ-2	640C

IMAGES NOT TO SCALE

# AUGER TEETH TRIDENT™



**HOLDER** | TRIDENT™ **U.S. PATENT NO. D778,967**

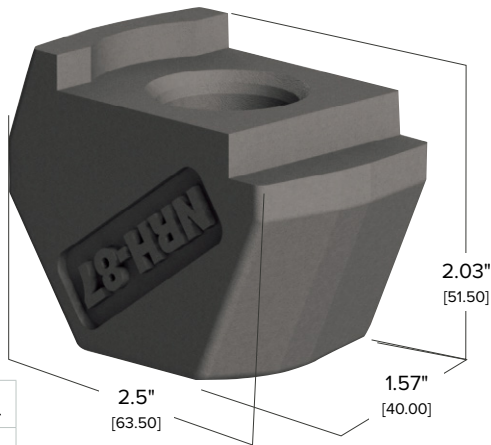
**87 SERIES** .87" SHANK SIZE



- 1** Holder
- 3** TEETH
- 7** drilling conditions

**THE MOST VERSATILE TEETH AND HOLDERS ON THE MARKET.**

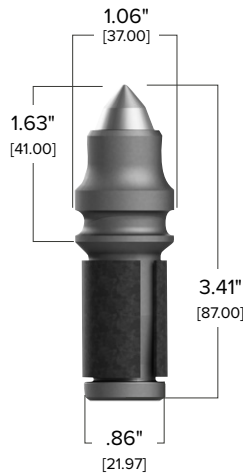
The patented TriDent holders are designed to work with three different types of teeth, the Strata® Conical Tooth, a Non-rotating Radial Tooth and a Non-Rotating Wedge tooth.



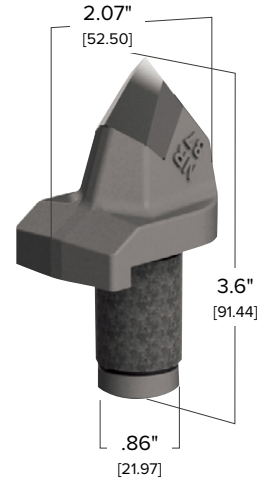
<b>NRH-87</b>
<b>LBS</b>   1.25
<b>PN</b>   990087
Utility and Foundation Augers
<b>25 PC. Bucket</b>
<b>LBS</b>   31.25
<b>PN</b>   NA



<b>NRW-87</b>
<b>LBS</b>   1.33
<b>PN</b>   990100
Utility and Foundation Augers



<b>SL-02</b>
<b>LBS</b>   .56
<b>PN</b>   850031
Utility and Foundation Augers



<b>NR-87</b>
<b>LBS</b>   .99
<b>PN</b>   990094
Utility and Foundation Augers

<b>30 PC. Bucket</b>	<b>1200 PC. Pallet</b>
<b>LBS</b>   56	<b>LBS</b>   1596
<b>PN</b>   850257	<b>PN</b>   850258

<b>65 PC. Bucket</b>	<b>2925 PC. Pallet</b>
<b>LBS</b>   36.4	<b>LBS</b>   1638
<b>PN</b>   850206	<b>PN</b>   NA

<b>40 PC. Bucket</b>	<b>1280 PC. Pallet</b>
<b>LBS</b>   39.6	<b>LBS</b>   1267
<b>PN</b>   850251	<b>PN</b>   850252

IMAGES NOT TO SCALE

WEAR PARTS

# AUGER TEETH TRIDENT™



PATENT PENDING

**HOLDER** | TRIDENT™ **U.S. PATENT NO. D778,967**

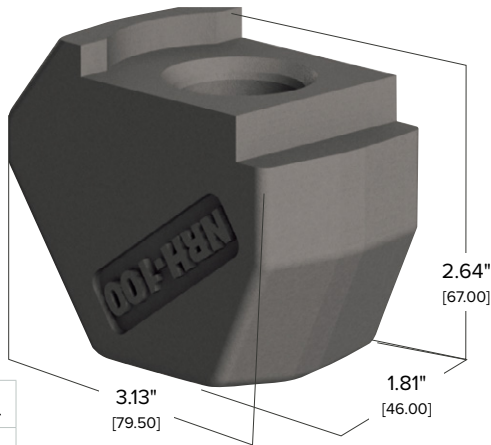
**100 SERIES** 1" SHANK SIZE



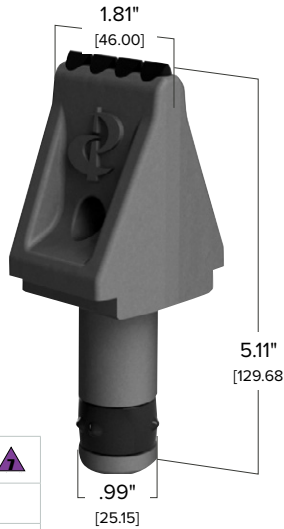
- 1** Holder
- 3** TEETH
- 7** drilling conditions

## THE MOST VERSATILE TEETH AND HOLDERS ON THE MARKET.

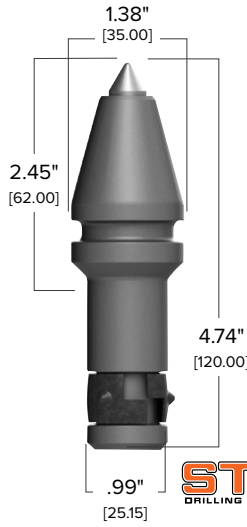
The patented TriDent holders are designed to work with three different types of teeth, the Strata® Conical Tooth, a Non-rotating Radial Tooth and a Non-Rotating Wedge tooth.



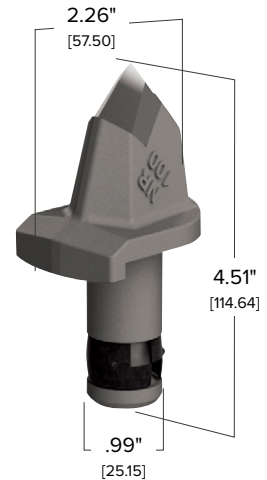
<b>NRH-100</b>
<b>LBS</b>   2.4
<b>PN</b>   990088
Utility, Foundation and ACIP Augers
<b>15 PC. Bucket</b>
<b>LBS</b>   36
<b>PN</b>   NA



<b>NRW-100</b>
<b>LBS</b>   2.06
<b>PN</b>   990098
Utility, Foundation and ACIP Augers



<b>SR-100</b>
<b>LBS</b>   1.1
<b>PN</b>   850023
Utility, Foundation and ACIP Augers



<b>NR-100</b>
<b>LBS</b>   .99
<b>PN</b>   990092
Utility, Foundation and ACIP Augers

<b>20 PC. Bucket</b>	<b>800 PC. Pallet</b>
<b>LBS</b>   41.2	<b>LBS</b>   1648
<b>PN</b>   850255	<b>PN</b>   850256

<b>35 PC. Bucket</b>	<b>1575 PC. Pallet</b>
<b>LBS</b>   36.75	<b>LBS</b>   1654
<b>PN</b>   850201	<b>PN</b>   850212

<b>35 PC. Bucket</b>	<b>1120 PC. Pallet</b>
<b>LBS</b>   1.35	<b>LBS</b>   1512
<b>PN</b>   850249	<b>PN</b>   850250

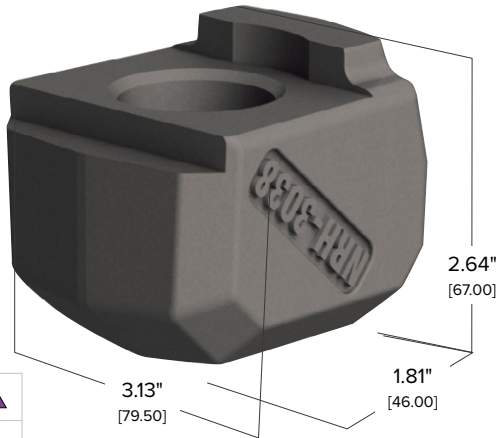
IMAGES NOT TO SCALE

# AUGER TEETH TRIDENT™



**HOLDER** | TRIDENT U.S. PATENT NO. D778,967

**122 SERIES** STEP SHANK SIZE



<b>NRH-3038</b>
<b>LBS</b>   4.86
<b>PN</b>   990086
Foundation and ACIP Augers
<b>6 PC. Bucket</b>
<b>LBS</b>   29.16
<b>PN</b>   NA



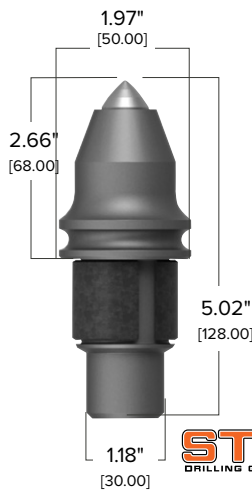
- 1** Holder
- 3** TEETH
- 7** drilling conditions

**THE MOST VERSATILE TEETH AND HOLDERS ON THE MARKET.**

The patented TriDent holders are designed to work with three different types of teeth, the Strata® Conical Tooth, a Non-rotating Radial Tooth and a Non-Rotating Wedge tooth.



<b>NRW-122</b>
<b>LBS</b>   4.5
<b>PN</b>   990096
Foundation and ACIP Augers



<b>SR-122</b>
<b>LBS</b>   2.6
<b>PN</b>   850034
Foundation and ACIP Augers



<b>NR-122</b>
<b>LBS</b>   2.46
<b>PN</b>   990089
Foundation and ACIP Augers

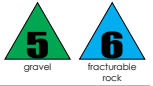
<b>8 PC. Bucket</b>	<b>240 PC. Pallet</b>
<b>LBS</b>   27	<b>LBS</b>   1080
<b>PN</b>   850253	<b>PN</b>   850254

<b>10 PC. Bucket</b>	<b>450 PC. Pallet</b>
<b>LBS</b>   26	<b>LBS</b>   1170
<b>PN</b>   850209	<b>PN</b>   850215

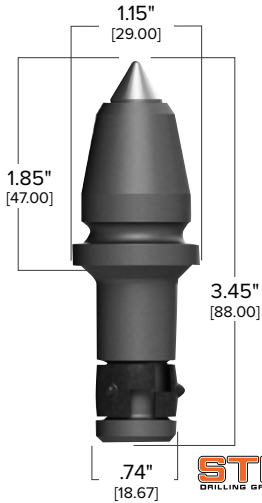
<b>15 PC. Bucket</b>	<b>480 PC. Pallet</b>
<b>LBS</b>   36.9	<b>LBS</b>   1181
<b>PN</b>   850247	<b>PN</b>   850248

IMAGES NOT TO SCALE

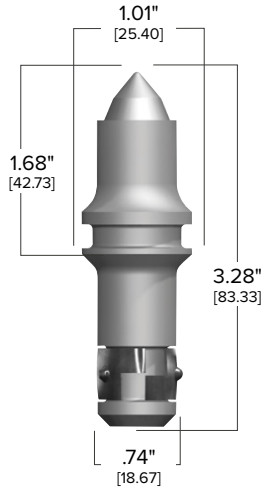
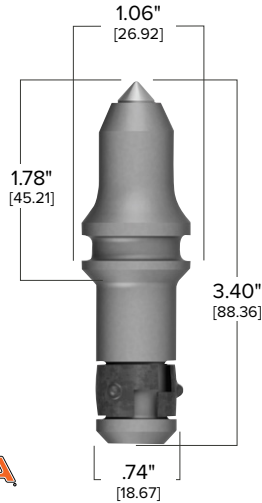
# AUGER TEETH CONICAL



## .74" SHANK SIZE



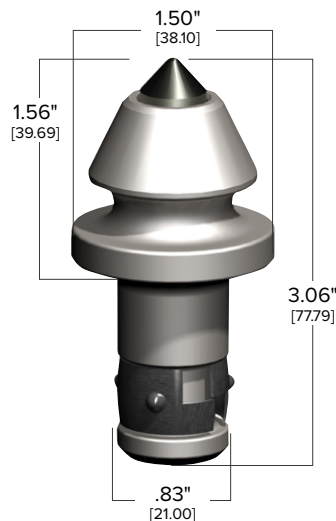
**STRATA**  
DRILLING GRADE CARBIDE



<b>STRATA® SR-74</b>
<b>LBS</b>   .65
<b>PN</b>   850027
Foundation and ACIP Augers
<b>65 PC. BUCKET</b>
<b>LBS</b>   42.25
<b>PN</b>   850218
<b>2925 PC. PALLET</b>
<b>LBS</b>   1901
<b>PN</b>   NA

<b>S-21</b>
<b>LBS</b>   .3
<b>PN</b>   850025
Pressure Digger Augers
<b>65 PC. BUCKET</b>
<b>LBS</b>   19.5
<b>PN</b>   NA
<b>2925 PC. BUCKET</b>
<b>LBS</b>   878
<b>PN</b>   NA

<b>S-23</b>
<b>LBS</b>   .3
<b>PN</b>   850033
Pressure Digger Augers
<b>65 PC. BUCKET</b>
<b>LBS</b>   19.5
<b>PN</b>   NA
<b>2925 PC. BUCKET</b>
<b>LBS</b>   878
<b>PN</b>   NA



<b>P21-RR</b>
<b>LBS</b>   .59
<b>PN</b>   137990
Bolt On Rock Head
<b>75 PC. BUCKET</b>
<b>LBS</b>   29.50
<b>PN</b>   NA

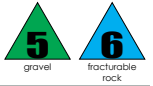
The Pengo S21RR Tooth was designed exclusively for the Pengo BoRH® (Bolt-on Rock Head) which converts the Pengo Aggressor® auger into a rock auger in minutes. The stout S21-RR design works well in hard rock and concrete conditions and the enlarged tooth shoulder helps to protect the BoRH® from wear.

**BoRH**

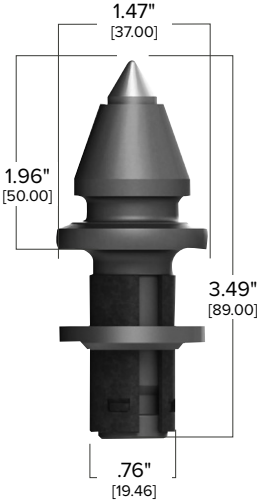


IMAGES NOT TO SCALE

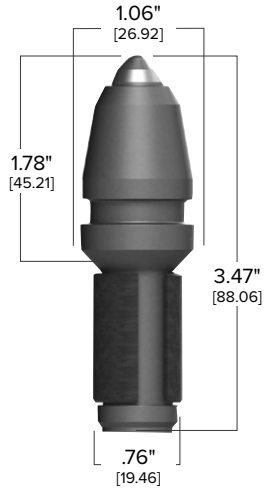
# AUGER TEETH CONICAL



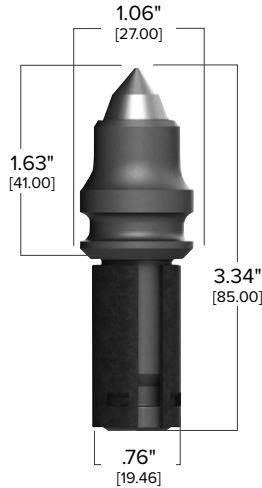
## .76" SHANK SIZE



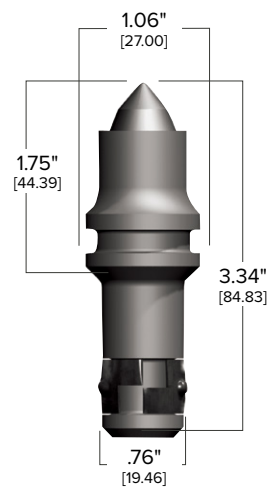
<b>STRATA® SR-76SW</b>
<b>LBS   .56</b>
<b>PN   850035</b>
Rock Ripper® Augers
<b>50 PC. BUCKET</b>
<b>LBS   28</b>
<b>PN   850200</b>
<b>3000 PC. PALLET</b>
<b>LBS   1680</b>
<b>PN   NA</b>



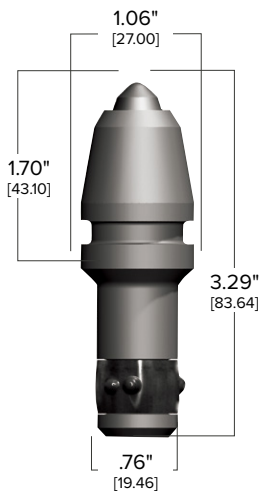
<b>SRL-07</b>
<b>LBS   .5</b>
<b>PN   850009</b>
Rock Ripper® Augers
<b>65 PC. BUCKET</b>
<b>LBS   32.5</b>
<b>PN   NA</b>
<b>2925 PC. PALLET</b>
<b>LBS   1463</b>
<b>PN   NA</b>



<b>SRL-08</b>
<b>LBS   .65</b>
<b>PN   990021</b>
Rock Ripper® Augers
<b>65 PC. BUCKET</b>
<b>LBS   19.5</b>
<b>PN   850203</b>
<b>2925 PC. PALLET</b>
<b>LBS   1901</b>
<b>PN   NA</b>

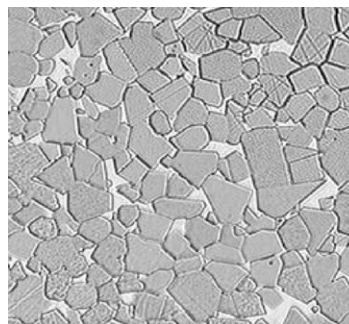


<b>SRL-09</b>
<b>LBS   .5</b>
<b>PN   850017</b>
Rock Ripper® Augers
<b>65 PC. BUCKET</b>
<b>LBS   32.5</b>
<b>PN   NA</b>
<b>2925 PC. PALLET</b>
<b>LBS   1463</b>
<b>PN   NA</b>

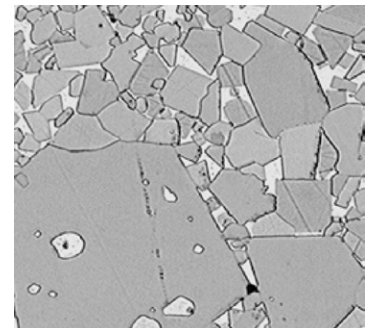


<b>SRL-10</b>	
<b>LBS   .5</b>	
<b>PN   850022</b>	
Rock Ripper® Augers	
<b>65 PC. Bucket</b>	<b>2925 PC. Pallet</b>
<b>LBS   32.5</b>	<b>LBS   1463</b>
<b>PN   NA</b>	<b>PN   NA</b>

## STRATA® DRILLING GRADE CARBIDE



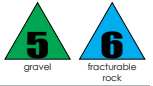
STRATA® Carbide Grain Structure



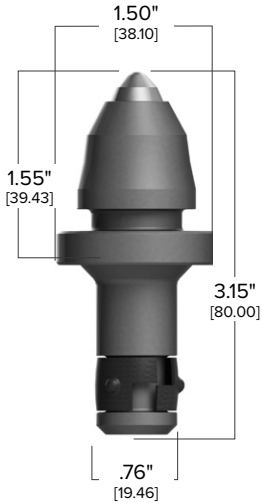
Conventional Carbide Grain Structure

IMAGES NOT TO SCALE

# AUGER TEETH CONICAL



## .76" SHANK SIZE



<b>SRS-16</b>
LBS   .5
PN   134912
Utility Augers
<b>70 PC. BUCKET</b>
LBS   25
PN   NA
<b>3000 PC. PALLET</b>
LBS   1500
PN   NA



<b>SRZ-16</b>
LBS   .4
PN   850001
Utility Augers
<b>45 PC. BUCKET</b>
LBS   18
PN   NA
<b>2700 PC. PALLET</b>
LBS   1080
PN   NA



<b>SRP-18</b>
LBS   .4
PN   850000
Utility Augers
<b>45 PC. BUCKET</b>
LBS   18
PN   NA
<b>2700 PC. PALLET</b>
LBS   1080
PN   NA

NO IMAGE AVAILABLE

<b>SRP-19</b>
LBS   .5
PN   850004
Utility Augers
<b>45 PC. BUCKET</b>
LBS   22.5
PN   NA
<b>2700 PC. PALLET</b>
LBS   1350
PN   NA

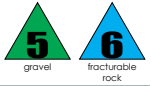
<b>S-3KBF</b>
LBS   .5
PN   850003
Utility Augers
<b>50 PC. Bucket</b>
LBS   325
PN   NA
<b>3000 PC. Pallet</b>
LBS   1500
PN   NA



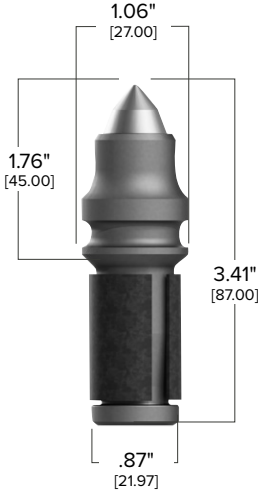
IMAGES NOT TO SCALE



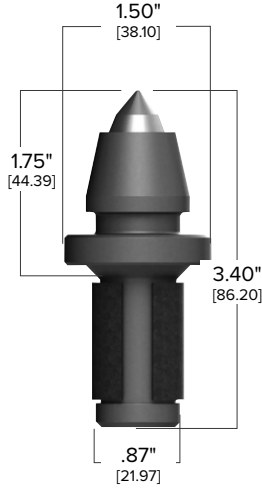
# AUGER TEETH CONICAL



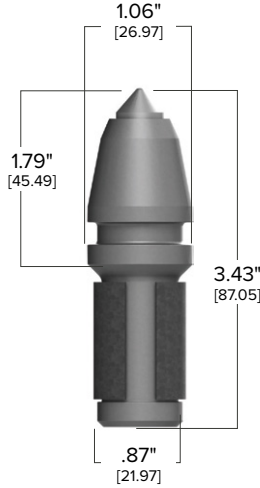
## .87" SHANK SIZE



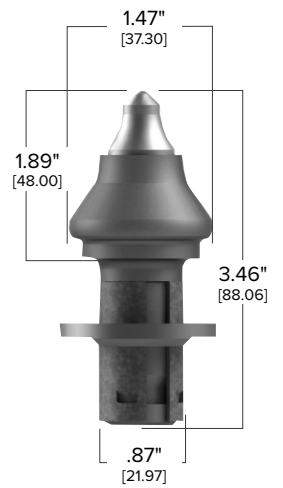
<b>SL-02</b>
<b>LBS</b>   .56
<b>PN</b>   850031
Utility Augers
<b>65 PC. BUCKET</b>
<b>LBS</b>   36.4
<b>PN</b>   850206
<b>2925 PC. PALLET</b>
<b>LBS</b>   1638
<b>PN</b>   NA



<b>SM-02</b>
<b>LBS</b>   .3
<b>PN</b>   990062
Utility Augers
<b>50 PC. BUCKET</b>
<b>LBS</b>   15
<b>PN</b>   NA
<b>2250 PC. PALLET</b>
<b>LBS</b>   675
<b>PN</b>   NA

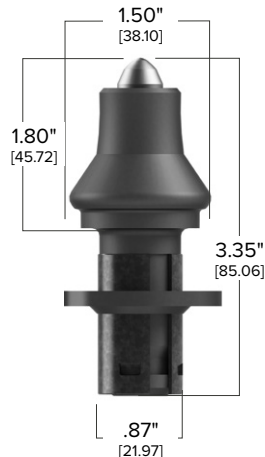


<b>SL-04</b>
<b>LBS</b>   .5
<b>PN</b>   850016
Utility Augers
<b>65 PC. BUCKET</b>
<b>LBS</b>   32.5
<b>PN</b>   850202
<b>2925 PC. PALLET</b>
<b>LBS</b>   1463
<b>PN</b>   NA



<b>SM-04</b>
<b>LBS</b>   .8
<b>PN</b>   850014
Utility Augers
<b>40 PC. BUCKET</b>
<b>LBS</b>   36
<b>PN</b>   NA
<b>2400 PC. PALLET</b>
<b>LBS</b>   2160
<b>PN</b>   NA

<b>SM-06</b>
<b>LBS</b>   .8
<b>PN</b>   850018
Utility Augers
<b>50 PC. Bucket</b>
<b>LBS</b>   40
<b>PN</b>   NA
<b>3000 PC. Pallet</b>
<b>LBS</b>   2400
<b>PN</b>   NA

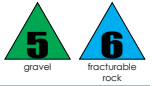


<b>SAR-150-87LR</b>
<b>LBS</b>   2.6
<b>PN</b>   850011
Utility Augers
<b>40 PC. Bucket</b>
<b>LBS</b>   104
<b>PN</b>   NA
<b>1800 PC. Pallet</b>
<b>LBS</b>   4680
<b>PN</b>   NA

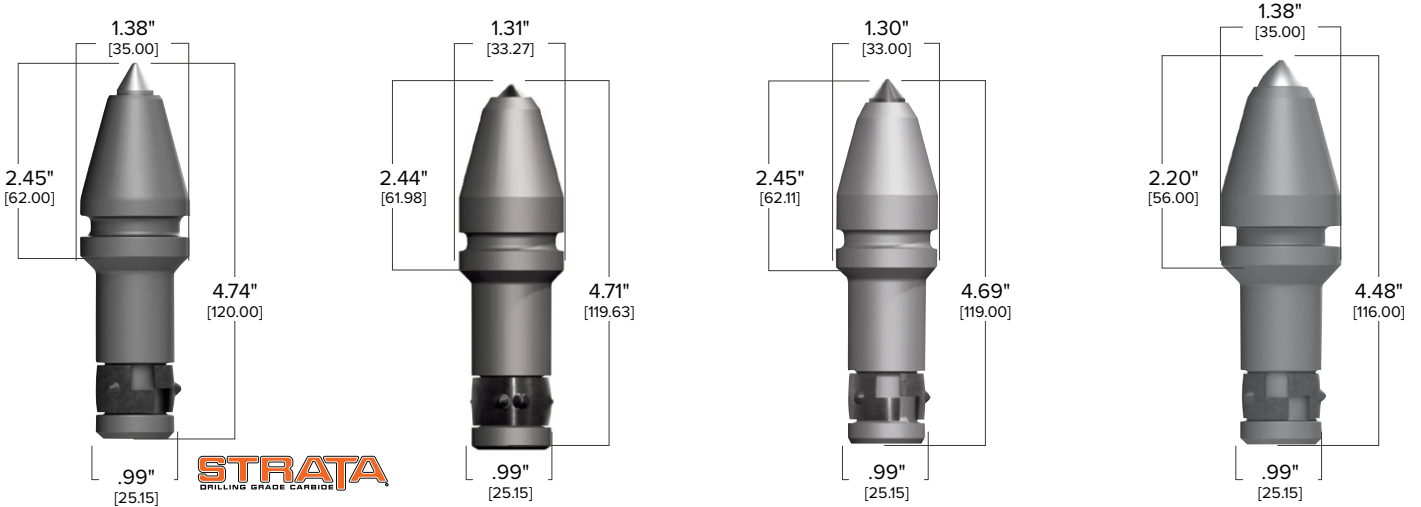


IMAGES NOT TO SCALE

# AUGER TEETH CONICAL



## 1" SHANK SIZE



<b>STRATA® SR-100</b>
<b>LBS</b>   1.05
<b>PN</b>   850023
Utility & FND Augers
<b>35 PC. BUCKET</b>
<b>LBS</b>   36.75
<b>PN</b>   850201
<b>1575 PC. PALLET</b>
<b>LBS</b>   1654
<b>PN</b>   850212

<b>S-31</b>
<b>LBS</b>   1.05
<b>PN</b>   850026
Utility & FND Augers
<b>35 PC. BUCKET</b>
<b>LBS</b>   36.75
<b>PN</b>   850208
<b>2100 PC. PALLET</b>
<b>LBS</b>   2205
<b>PN</b>   850214

<b>S-31HD</b>
<b>LBS</b>   1.1
<b>PN</b>   850037
Utility & FND Augers
<b>35 PC. BUCKET</b>
<b>LBS</b>   38.5
<b>PN</b>   850210
<b>1575 PC. PALLET</b>
<b>LBS</b>   1733
<b>PN</b>   850216

<b>SU40-HD</b>
<b>LBS</b>   2.2
<b>PN</b>   850021
Utility & FND Augers
<b>50 PC. BUCKET</b>
<b>LBS</b>   110
<b>PN</b>   NA
<b>3000 PC. PALLET</b>
<b>LBS</b>   6600
<b>PN</b>   NA

**TAKE YOUR DRILLING TO NEW DEPTHS!**

# STRATA

DRILLING GRADE CARBIDE

**FIELD TESTED!**

**CUSTOMER APPROVED!**

**COMPARE and SAVE!**

Prices recently reduced on our popular SR-100 and SR-104 Conical Teeth!

**FREE SHIPPING** on pallet orders of STRATA® teeth.

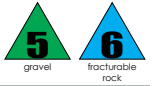
The STRATA® Proprietary Drilling Grade Teeth are Made Especially for the Drilling Industry!

The Improved Grade of Carbide in All Strata Teeth Increases The Life Cycle of The Tooth!

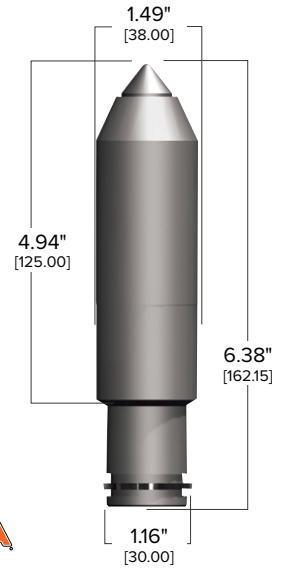
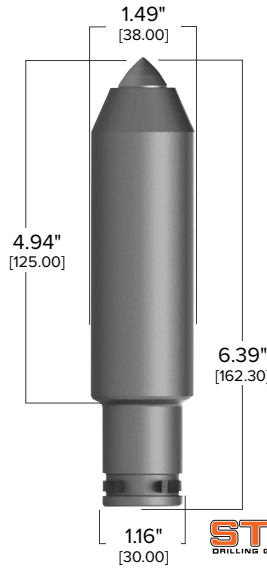
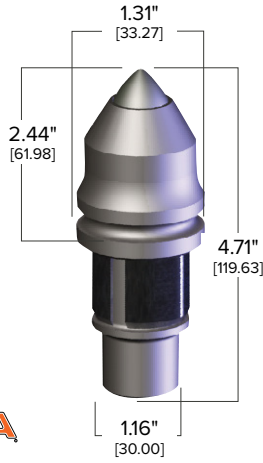
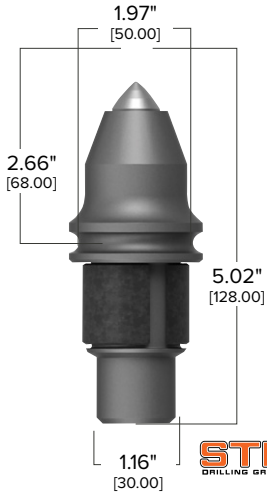
Less Down Time Means Increased Production and Productivity!

IMAGES NOT TO SCALE

# AUGER TEETH CONICAL



## STEP SHANK SIZE



<b>STRATA® SR-122</b>
LBS   2.6
PN   850034
Foundation Augers
<b>10 PC. BUCKET</b>
LBS   26
PN   850209
<b>450 PC. PALLET</b>
LBS   1170
PN   850215

<b>S-22</b>
LBS   2.6
PN   850039
Foundation Augers
<b>10 PC. BUCKET</b>
LBS   26
PN   NA
<b>450 PC. PALLET</b>
LBS   1170
PN   850214

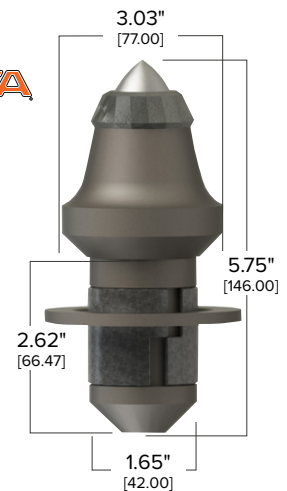
<b>STRATA® SR-104</b>
LBS   2.53
PN   850024
Foundation Augers
<b>15 PC. BUCKET</b>
LBS   37.95
PN   850207
<b>675 PC. PALLET</b>
LBS   1708
PN   850213

<b>S4-1</b>
LBS   2.6
PN   850038
Foundation Augers
<b>15 PC. BUCKET</b>
LBS   39
PN   850211
<b>675 PC. PALLET</b>
LBS   900
PN   850217

<b>PC3Z</b>
LBS   2.65
PN   850046
Foundation Augers
<b>10 PC. Bucket</b>
LBS   26.5
PN   NA
<b>450 PC. Pallet</b>
LBS   1193
PN   NA

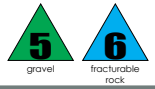


<b>STRATA® SR-165</b>
LBS   3
PN   850048
Foundation Augers
<b>1 PC. Bucket</b>
LBS   3
PN   NA

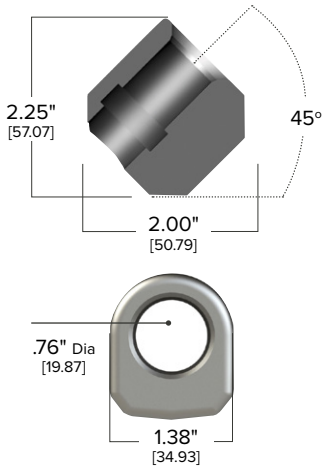


IMAGES NOT TO SCALE

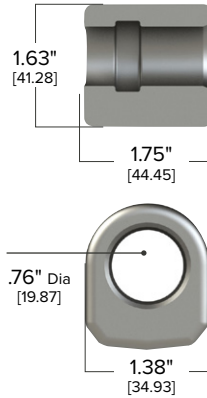
# AUGER TEETH HOLDERS



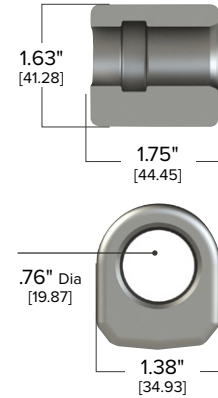
## HOLDERS | For Conical Teeth



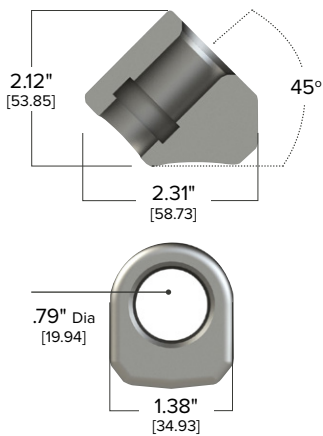
<b>P20 Holder</b>
<b>LBS   .7</b>
<b>PN   990002</b>
SR-74, S-21, S-23, S-24



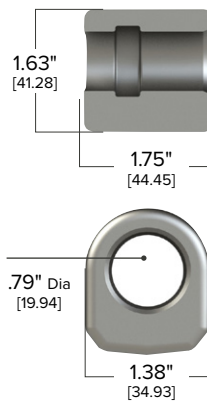
<b>P20F Holder</b>
<b>LBS   .9</b>
<b>PN   990085</b>
SR-74, S-21, S-23, S-24



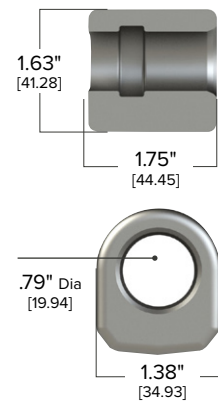
<b>S20HD Holder</b>
<b>LBS   1.1</b>
<b>PN   850007</b>
SR-74, S-21, S-23, S-24



<b>P10 Holder</b>
<b>LBS   .7</b>
<b>PN   990043</b>
SR-76SW, SRL-07, SRL-08, SRL-09, SRL-10, SRS-16, SRZ-16, SRP-18, SRP-19, S-3KBF



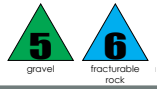
<b>P10F Holder</b>
<b>LBS   .9</b>
<b>PN   990084</b>
SR-76SW, SRL-07, SRL-08, SRL-09, SRL-10, SRS-16, SRZ-16, SRP-18, SRP-19, S-3KBF



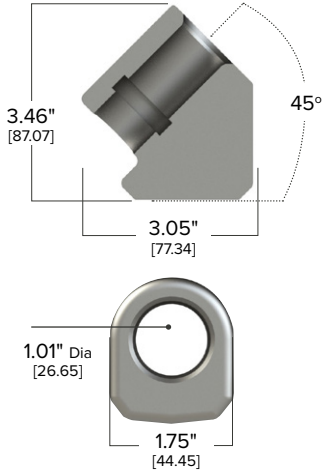
<b>S10HD Holder</b>
<b>LBS   .6</b>
<b>PN   850006</b>
SR-76SW, SRL-07, SRL-08, SRL-09, SRL-10, SRS-16, SRZ-16, SRP-18, SRP-19, S-3KBF

IMAGES NOT TO SCALE

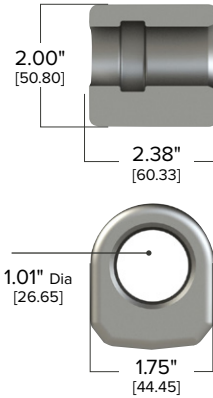
# AUGER TEETH HOLDERS



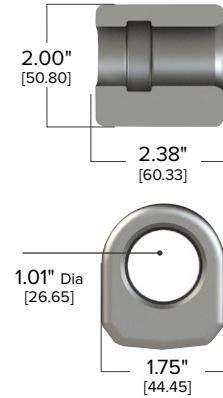
## HOLDERS | For Conical Teeth



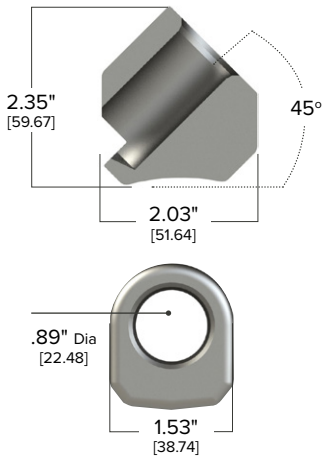
<b>P30 Holder</b>
<b>LBS</b>   2.6
<b>PN</b>   990001
SR-100, S-31, S-31HD, SU40-HD



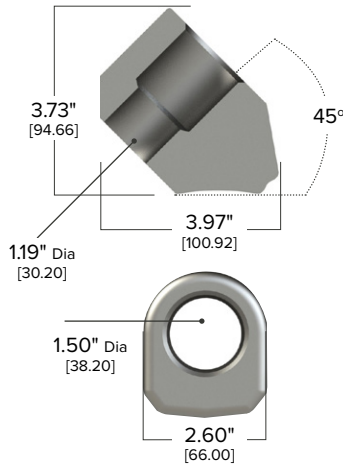
<b>P30F Holder</b>
<b>LBS</b>   1
<b>PN</b>   990082
SR-100, S-31, S-31HD, SU40-HD



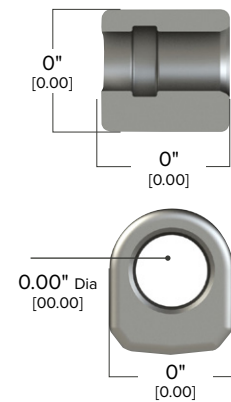
<b>S30H Holder</b>
<b>LBS</b>   1
<b>PN</b>   850013
SR-100, S-31, S-31HD, SU40-HD



<b>P87B Holder</b>
<b>LBS</b>   1
<b>PN</b>   990029
SL-02, S-387B, SL-04, SM-04, SM-06



<b>P4 Holder</b>
<b>LBS</b>   3.65
<b>PN</b>   990003
SR-122, S-22, SR-104, S4-1



<b>B48 Holder</b>
<b>LBS</b>   1.1
<b>PN</b>   800072
Concial Tooth

IMAGES NOT TO SCALE

# AUGER TEETH PULLERS

## BIT PULLER | For Conical Teeth



<b>S20HP Bit Puller</b>
<b>LBS</b>   4
<b>PN</b>   850005
SR-74, S-21, S-23, S-24

<b>C123 Bit Puller</b>
<b>LBS</b>   4
<b>PN</b>   134091
SRL-07, SRL-08, SRL-09, SRL-10, SRS-16, SRZ-16, SRP-18, SRP-19, S-3KBF, SL-02, S-387BF, SL-04, SM-04, SM-06, SAR-150-87LR



<b>C30HP Bit Puller</b>
<b>LBS</b>   4
<b>PN</b>   134090
SR-76SW, SR-100, S-31HD, SU40-HD

<b>BZ-12 Bit Puller</b>
<b>LBS</b>   3
<b>PN</b>   850043
SR-122, S-22, SR-104, S4-1, PC3Z, SR-165

IMAGES NOT TO SCALE

## WEAR PARTS

---

---

---

IMAGES NOT TO SCALE



**SELECTION.  
INNOVATION.  
PERFORMANCE.**

