

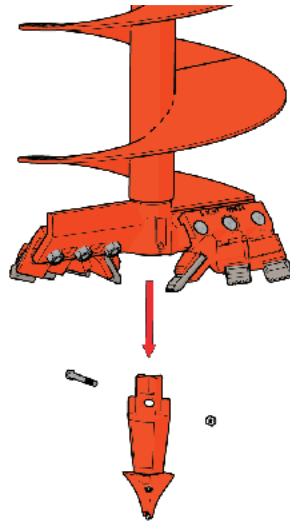
INSTALLATION & REMOVAL TOOLS

PA-SAT-80 and SAT-85 tools allow for installation of "no wrench screw anchors" with any diameter Pengo standard MD auger. The tools allow most anchors driven by an eyelet including Thimbleye or Tripleye type eyelets to be installed without removing the auger.

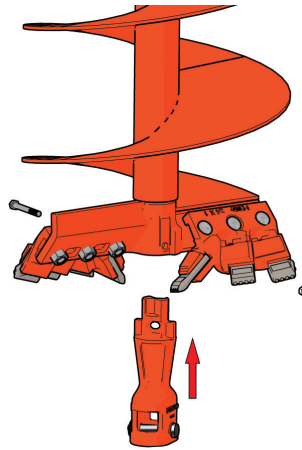
PA-SAT-80 | Anchor Installation & Removal Tool

LBS | 17

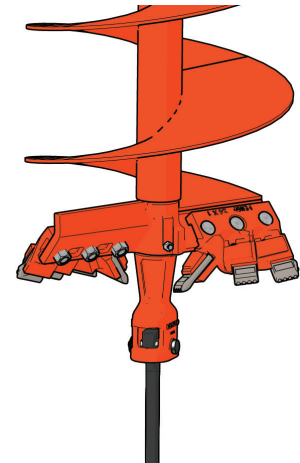
PN | 157532



1. Remove pilot bit assembly from auger (1/2" hex bolt, 3/4" hex wrench)



2. Install PA-SAT-80 tool



3. Connect and install or remove anchor

SAT-85 | Anchor Installation Tool*

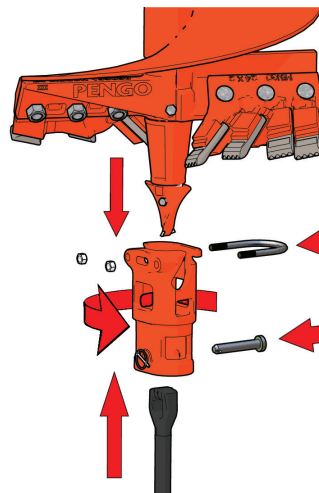
LBS | 17

PN | 157533

PILOT BITS

FH-205 | 157382

FH-205C | 132260

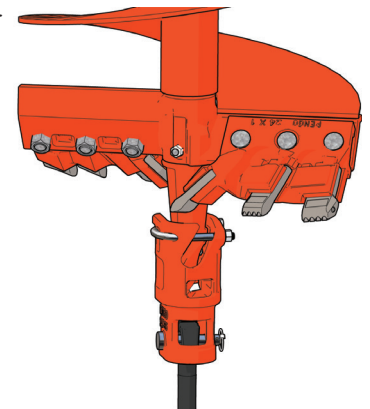


1. Install SAT-85 over pilot bit of auger (Pengo FH-205 or FH-205C)

2. Secure with included U-bolt

3. Connect anchor to SAT-85 tool

4. Install anchor



*SAT-85 not recommended for anchor removal