

END OF STICK DRIVE MOUNTS

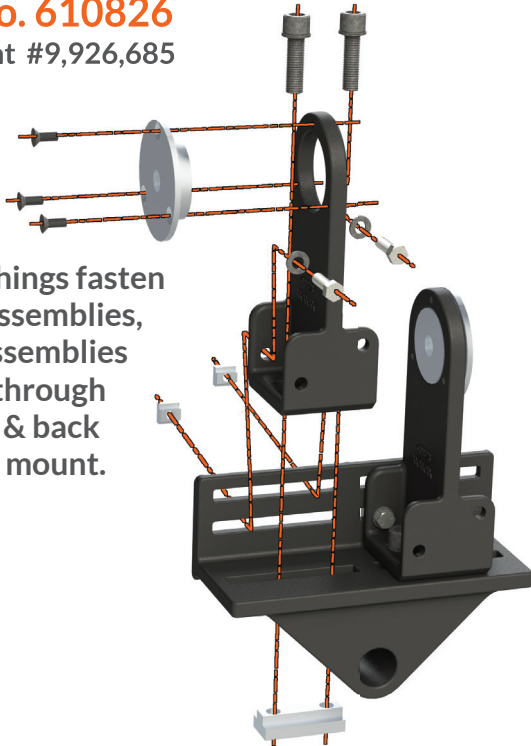


EOS-8K

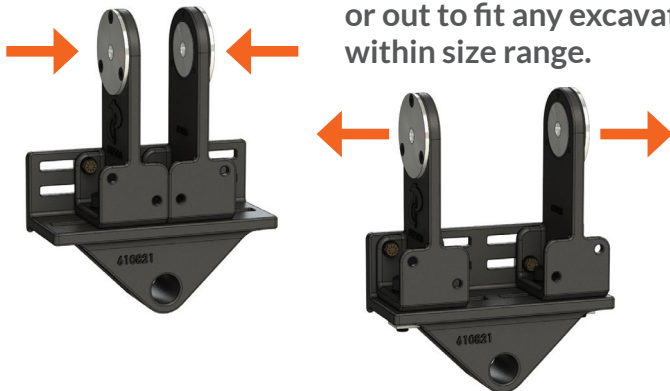
Part No. 610826

US Patent #9,926,685

Pin bushings fasten to ear assemblies, & ear assemblies secure through bottom & back of plate mount.



Adjust ear assemblies in or out to fit any excavator within size range.



COMPACT & ADJUSTABLE

Pengo's new patented EOS (End of Stick) auger drive mount is fully adjustable to fit multiple excavator makes and models.

- Adjustable ear widths between 3.5" to 8"
- Locking hardware adjustment takes only minutes
- Removable bushings make adapting to multiple OEM pins simple

TOP EAR BUSHINGS

*NOT INCLUDED. SOLD SEPARATELY.

FOR PIN SIZE	PART NO.	QTY
.943" [24mm]	610918	2
.98" [25mm]	610996	2
1.18" [30mm]	610997	2
1.50" [38mm]	610998	2
1.77" [45mm]	611000	2
1.97" [50mm]	610999	2

Common bushing sizes are shown in the chart on the left. The EOS mount is available in two models, 8K and 16K. The EOS-8K mount is designed for drive units developing 8,000 ft/lbs of torque. For larger torque requirements, see the 16K model.