

PTO AGGRESSOR[®] AUGER



AUGERS | 30" Overall Length

ITEM	DIA	NO. TEETH	LBS	PN
6-AR-PTO	6"	4	30	137140
9-AR-PTO	9"	4	39	137141
12-AR-PTO	12"	4	47	137142
15-AR-PTO	15"	5	53	137143
18-AR-PTO	18"	6	59	137144
24-AR-PTO	24"	8	65	137145

AUGERS | 42" Overall Length

ITEM	DIA	NO. TEETH	LBS	PN
6-AR-PTO	6"	4	36	137151
9-AR-PTO	9"	4	42	137152
12-AR-PTO	12"	4	54	137153
15-AR-PTO	15"	5	58	137154
18-AR-PTO	18"	6	63	137155
24-AR-PTO	24"	8	67	137156
30-AR-PTO	30"	10	75	137157

AUGERS | 48" Overall Length

ITEM	DIA	NO. TEETH	LBS	PN
6-AR-PTO	6"	4	40	137180
9-AR-PTO	9"	4	50	137181
12-AR-PTO	12"	4	59	137182
15-AR-PTO	15"	5	65	137183
18-AR-PTO	18"	6	72	137184
24-AR-PTO	24"	8	84	137185



PARTS | TriFlow[®] Pilot Bits

TF-350
LBS | 5
PN | 135088

TF-350HF Pilot
LBS | 5.5
PN | 135089

TF-350C Pilot
LBS | 5.5
PN | 135090

TF-350CXC Pilot
LBS | 5.8
PN | 135091

TF-350HFTC Pilot
LBS | 5.5
PN | 135092



PARTS | Teeth

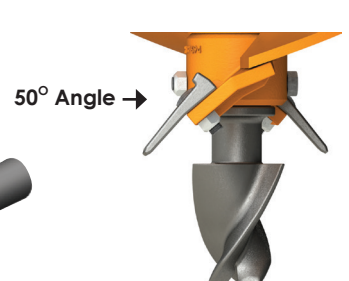
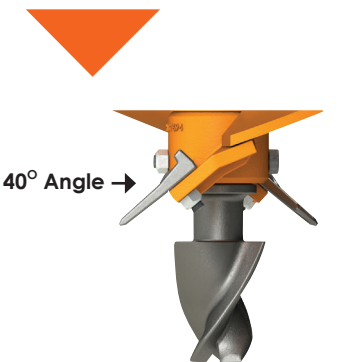
40/50 Tooth
LBS | .5
PN | 134501

40/50HFF Tooth
LBS | .5
PN | 134802

40/50C Tooth
LBS | .65
PN | 134519



AGGRESSOR[®] auger teeth are for use in dirt, abrasive soil or fracturable rock, depending on the type of tooth you are using. All types of the 40/50 tooth can be used at either a 40° or 50° angle providing different attack angles based on your drilling condition.



THE NUTS & BOLTS:

for 40/50 Teeth
Carriage Bolt PN 134677
Hex Nut Lock PN 134527

for TriFlow 350 Pilot Bits
3.5" Hex Bolt (6"-9" dia.) PN 174447
4" Hex Bolt (12" plus dia.) PN 174448
Hex Nut Lock PN 134527

