



RV-200 ANCHOR DRIVE

VARIABLE SPEED DRIVE UNIT | PN 610577

used for anchor installation



EXCAVATOR SIZE

45T - 60T

WEIGHT

LBS | 4200

CONNECTIONS

SQUARE 177MM

NOT RECOMMENDED FOR DRILLING

TRULINK TORQUE PIN

RV-200 is outfitted to fit this TruLink® Torque Monitor System.



Class 4 with 8" Display
PN | 615005

Kits include Pin, Displays, Anti-Rotation Block, Mount, Cable, Stylus, and Flash USB Drive



The RV-200 Series Variable Speed Drive is strictly for anchor installation due to it's ability to generate a high-level of sustained and consistent torque.

HYDRAULIC MOTOR INFORMATION

Displacement	13.73 cu/in (225cc)
Motor Type	Variable Speed Bi-Directional
Motor Output Shaft	13T 8/16 Spline
Motor Mount	SAE - E 4 Bolt
Motor Ports	Code 62 SAE Split Flange
Cross Over Pressure Relief	NA

PLANETARY GEARBOX INFORMATION

Gearbox Type	Planetary Four Stage
Reduction Ratio	265.64:1
Output Shaft	177mm Square
Internal Oil Capacity	14.5 Gallons
Oil Type	SAE 80W90 GL-5
Shaft Pull Out (lbs.)	250,000



RV-200 ANCHOR DRIVE

Variable speed models must have a drain line.

REFERENCE SPEED CHART

Flow GPM (Liter)	Low (rpm)	High (rpm)
80 (302)	6	4
90 (370)	7	5
100 (378)	8	5
110 (416)	9	6
120 (454)	10	7

REFERENCE TORQUE CHART (LT / HS)

Pressure (psi)	THEORETICAL Torque (ft/lb)	ACTUAL Torque (ft/lb)
2500	64312	65608
2600	66885	68233
2700	69457	70857
2800	72030	73481
2900	74602	76105

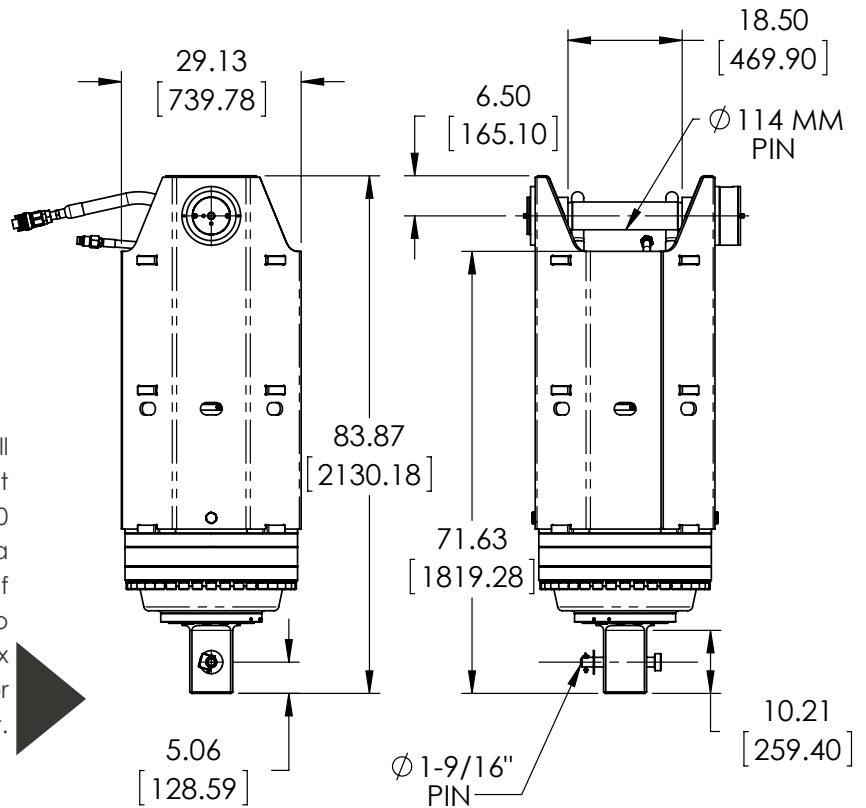
LOW TORQUE/
HIGH SPEED OUTPUT

REFERENCE TORQUE CHART (HT / LS)

Pressure (psi)	THEORETICAL Torque (ft/lb)	ACTUAL Torque (ft/lb)
3100	150026	124522
3200	154866	128539
3300	159706	132556
3400	164545	136572
3500	169385	140590
4000	193583	160674
4500	217780	180757
5000	241978	200842

HIGH TORQUE/
LOW SPEED OUTPUT

Motor will shift once it reached 2900 psi. Need a minimum of 3100 psi to achieve max motor displacement.



Note that both theoretical and actual torque values are listed, but that Pengo recommends to go by ACTUAL torque listings.

177mm Square Drive Tool

LBS | 269

PN | 610303



Link Arm Assembly

LBS | 640

PN | 610710



MOUNTS for RV-200

Pengo offers a complete excavator mounting systems for the RV-200 unit. These mounts can be mounted directly to the stick or designed to work with an existing quick coupler.

Excavator Mounts allow for maximum movement to ensure the Drive always hangs true to the ground.

Custom mounts can be designed for specific applications.

Pengo lists output speeds at both theoretical and actual. Actual torque numbers are NOT listed at 100% efficiency. Maximum efficiencies have been applied to the torque and speed charts according to the manufacturer's recommendations. Speed and torque output are dependent on the overall system efficiencies associated with the prime movers hydraulic system. When the purchaser is determining criteria for specific applications please contact Pengo. Pengo has made every attempt to present accurate and suitable information published in this document. This document should be used for information and comparative purposes only. When application-specific information is required, please contact Pengo.