



# RV-150 ANCHOR DRIVE

VARIABLE SPEED DRIVE UNIT | PN 610600

used for anchor installation



<b>EXCAVATOR SIZE</b> 35T - 45T	<b>WEIGHT</b> LBS   3800
<b>CONNECTIONS</b> SQUARE 177MM	<b>NOT RECOMMENDED FOR DRILLING</b>

**TRULINK TORQUE PIN** 

RV-150 is outfitted to fit this TruLink® Torque Monitor System.

Class 3 with 8" Display  
PN | 615004

Kits include Pin, Displays, Anti-Rotation Block, Mount, Cable, Stylus, and Flash USB Drive



The RV-150 Series Variable Speed Drive is strictly for anchor installation due to its ability to generate a high-level of sustained and consistent torque.

HYDRAULIC MOTOR INFORMATION	
Displacement	13.73 cu/in (225cc)
Motor Type	Variable Speed Bi-Directional
Motor Output Shaft	13T 8/16 Spline
Motor Mount	SAE - E 4 Bolt
Motor Ports	Code 62 SAE Split Flange
Cross Over Pressure Relief	NA
PLANETARY GEARBOX INFORMATION	
Gearbox Type	Planetary Four Stage
Reduction Ratio	208:54:1
Output Shaft	177mm Square
Internal Oil Capacity	12 Gallons
Oil Type	SAE 80W90 GL-5
Shaft Pull Out (lbs.)	180,000

# RV-150 ANCHOR DRIVE



Variable speed models must have a drain line.

REFERENCE SPEED CHART

Flow GPM (Liter)	Low (rpm)	High (rpm)
80 (302)	9	5
90 (370)	10	6
100 (378)	11	7
110 (416)	12	8
120 (454)	13	9

REFERENCE TORQUE CHART (LT / HS)

Pressure (psi)	THEORETICAL Torque (ft/lb)	ACTUAL Torque (ft/lb)
2500	50488	51506
2600	52507	53566
2700	54527	55626
2800	56547	57686
2900	58566	59747

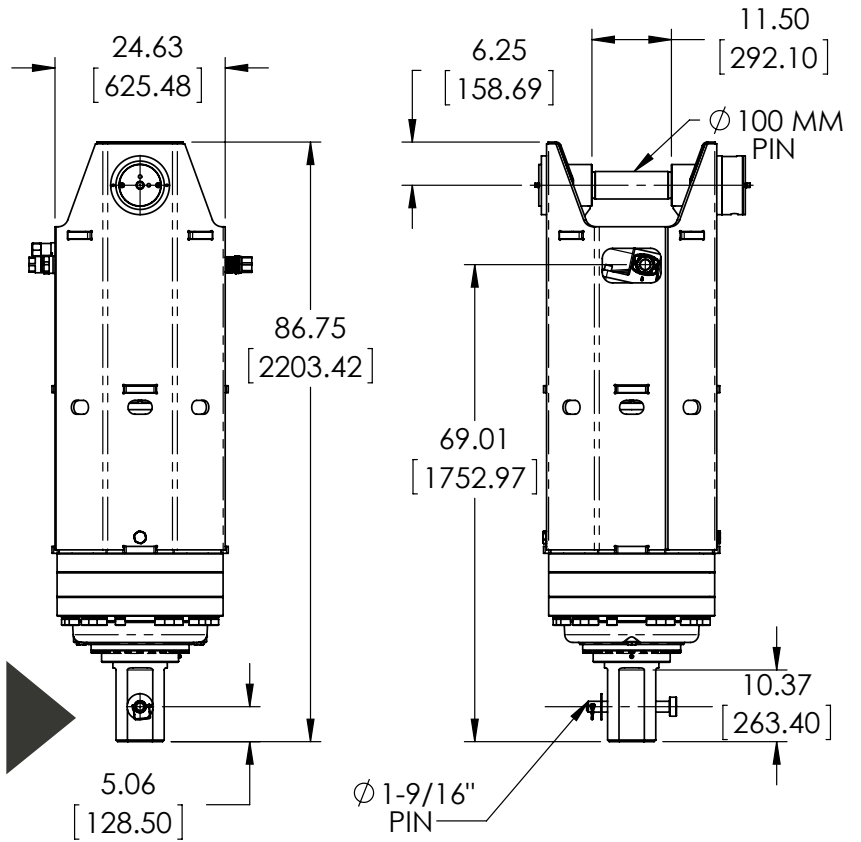
LOW TORQUE/  
HIGH SPEED OUTPUT

REFERENCE TORQUE CHART (HT / LS)

Pressure (psi)	THEORETICAL Torque (ft/lb)	ACTUAL Torque (ft/lb)
3100	117830	97799
3200	121631	100954
3300	125432	104109
3400	129233	107263
3500	133034	110418
4000	152039	126192
4500	171044	141967
5000	190049	157741

HIGH TORQUE/  
LOW SPEED OUTPUT

Motor will shift once it reached 2900 psi. Need a minimum of 3100 psi to achieve max motor displacement.



Note that both theoretical and actual torque values are listed, but that Pengo recommends to go by ACTUAL torque listings.

### 177mm Square Drive Tool

LBS | 269

PN | 610303



### Link Arm Assembly

LBS | 265

PN | 610709



## MOUNTS for RV-150

Pengo offers a complete excavator mounting systems for the RV-150 unit. These mounts can be mounted directly to the stick or designed to work with an existing quick coupler.

Excavator Mounts allow for maximum movement to ensure the Drive always hangs true to the ground.

*Custom mounts can be designed for specific applications.*

Pengo lists output speeds at both theoretical and actual. Actual torque numbers are NOT listed at 100% efficiency. Maximum efficiencies have been applied to the torque and speed charts according to the manufacturer's recommendations. Speed and torque output are dependent on the overall system efficiencies associated with the prime movers hydraulic system. When the purchaser is determining criteria for specific applications please contact Pengo. Pengo has made every attempt to present accurate and suitable information published in this document. This document should be used for information and comparative purposes only. When application-specific information is required, please contact Pengo.