



# RV-100 ANCHOR DRIVE

VARIABLE SPEED DRIVE UNIT | PN 610589

used for anchor installation



**EXCAVATOR SIZE**

**30T - 40T**

**WEIGHT**

**LBS | 2850**

**CONNECTIONS**

**SQUARE 150MM**

**NOT RECOMMENDED FOR DRILLING**

**TRULINK TORQUE PIN**

RV-100 is outfitted to fit this TruLink® Torque Monitor System.



Class 3 with 8" Display  
**PN | 615004**

Kits include Pin, Displays, Anti-Rotation Block, Mount, Cable, Stylus, and Flash USB Drive



The RV-100 Series Variable Speed Drive is strictly for anchor installation due to its ability to generate a high-level of sustained and consistent torque.

**HYDRAULIC MOTOR INFORMATION**

Displacement	13.73 cu/in (225cc)
Motor Type	Variable Speed Bi-Directional
Motor Output Shaft	13T 8/16 Spline
Motor Mount	SAE - E 4 Bolt
Motor Ports	Code 62 SAE Split Flange
Cross Over Pressure Relief	NA

**PLANETARY GEARBOX INFORMATION**

Gearbox Type	Planetary Three Stage
Reduction Ratio	126:1
Output Shaft	150mm Square
Internal Oil Capacity	12 Gallons
Oil Type	SAE 80W90 GL-5
Shaft Pull Out (lbs.)	100,000

# RV-100 ANCHOR DRIVE



Variable speed models must have a drain line.

REFERENCE SPEED CHART

Flow GPM (Liter)	Low (rpm)	High (rpm)
80 (302)	14	9
90 (370)	16	10
100 (378)	18	11
110 (416)	19	13
120 (454)	21	14

REFERENCE TORQUE CHART (LT / HS)

Pressure (psi)	THEORETICAL Torque (ft/lb)	ACTUAL Torque (ft/lb)
2500	30505	32244
2600	31725	33534
2700	32945	34824
2800	34165	36114
2900	35385	37403

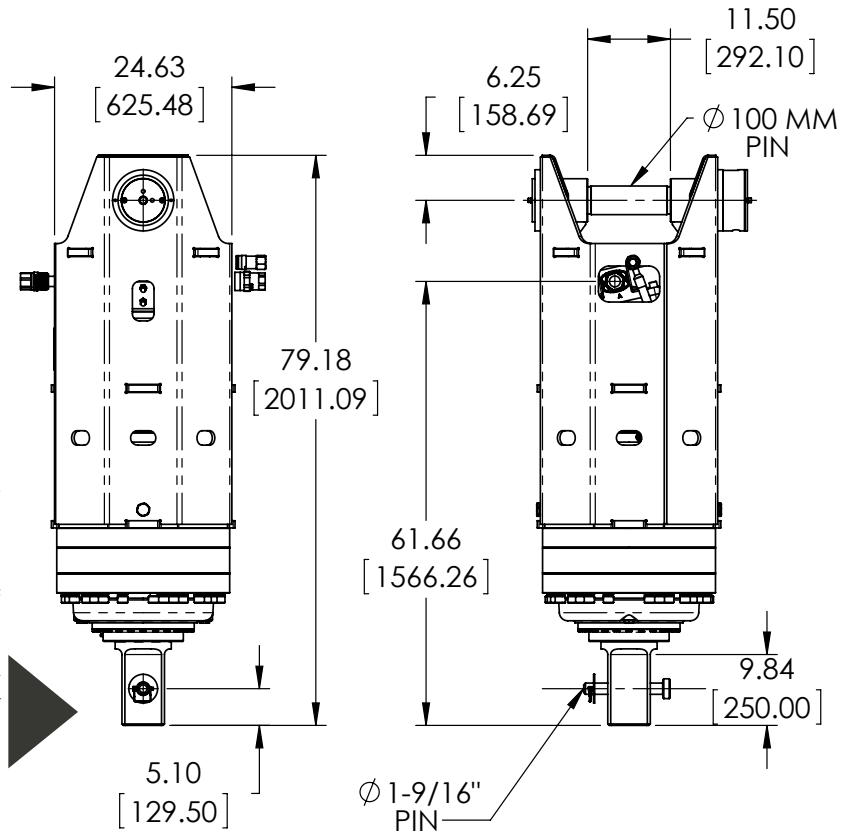
LOW TORQUE/  
HIGH SPEED OUTPUT

REFERENCE TORQUE CHART (HT / LS)

Pressure (psi)	THEORETICAL Torque (ft/lb)	ACTUAL Torque (ft/lb)
3100	71193	61226
3200	73489	63201
3300	75786	65176
3400	78082	67151
3500	80379	69126
4000	91862	79001
5000	114827	98751

HIGH TORQUE/  
LOW SPEED OUTPUT

Motor will shift once it reached 2900 psi. Need a minimum of 3100 psi to achieve max motor displacement.



Note that both theoretical and actual torque values are listed, but that Pengo recommends to go by ACTUAL torque listings.

### 150mm Square Drive Tool

LBS | 226

PN | 610302



### Link Arm Assembly

LBS | 265

PN | 610709



## MOUNTS for RV-100

Pengo offers a complete excavator mounting systems for the RV-100 unit. These mounts can be mounted directly to the stick or designed to work with an existing quick coupler.

Excavator Mounts allow for maximum movement to ensure the Drive always hangs true to the ground.

*Custom mounts can be designed for specific applications.*

Pengo lists output speeds at both theoretical and actual. Actual torque numbers are NOT listed at 100% efficiency. Maximum efficiencies have been applied to the torque and speed charts according to the manufacturer's recommendations. Speed and torque output are dependent on the overall system efficiencies associated with the prime movers hydraulic system. When the purchaser is determining criteria for specific applications please contact Pengo. Pengo has made every attempt to present accurate and suitable information published in this document. This document should be used for information and comparative purposes only. When application-specific information is required, please contact Pengo.