

# RT-9 ANCHOR DRIVE



TWO SPEED DRIVE UNIT | PN 610058

used for anchor installation



EXCAVATOR SIZE

4T - 8T

CONNECTIONS

HEX 2 1/2"

WEIGHT

LBS | 540

NOT RECOMMENDED FOR DRILLING

## TRULINK TORQUE PIN

RT-9 is outfitted to fit these TruLink® Torque Monitor Systems.



Class 1 with 4" Display  
PN | 615000

Class 1 with 8" Display  
PN | 615002

Kits include Pin, Displays, Anti-Rotation Block, Mount, Cable, Stylus, and Flash USB Drive



The RT-9 Anchor drive is perfect for the small anchor installation and drilling projects. The auto shift feature allows the drive to automatically shift between high speed and low torque and low speed high torque depending on the input flow. If you chose to use this drive for drilling, select the Pengo TriMax® or Utility auger for best results.

### HYDRAULIC MOTOR INFORMATION

|                            |                          |
|----------------------------|--------------------------|
| Displacement               | 11.9 cu/in (195cc)       |
| Motor Type                 | Two Speed Bi-Directional |
| Motor Output Shaft         | 1 1/4" Spline 14T        |
| Motor Mount                | SAE - C 4 Bolt           |
| Motor Ports                | 1 5/8" - 12-UN-2B        |
| Cross Over Pressure Relief | Set at 3100 PSI          |

### PLANETARY GEARBOX INFORMATION

|                       |                     |
|-----------------------|---------------------|
| Gearbox Type          | Planetary Two Stage |
| Reduction Ratio       | 25.36:1             |
| Output Shaft          | 2 1/2" Hex          |
| Internal Oil Capacity | 2.0 Gallons         |
| Oil Type              | SAE 80W90 GL-5      |
| Shaft Pull Out (lbs.) | 22,500              |

# RT-9 ANCHOR DRIVE



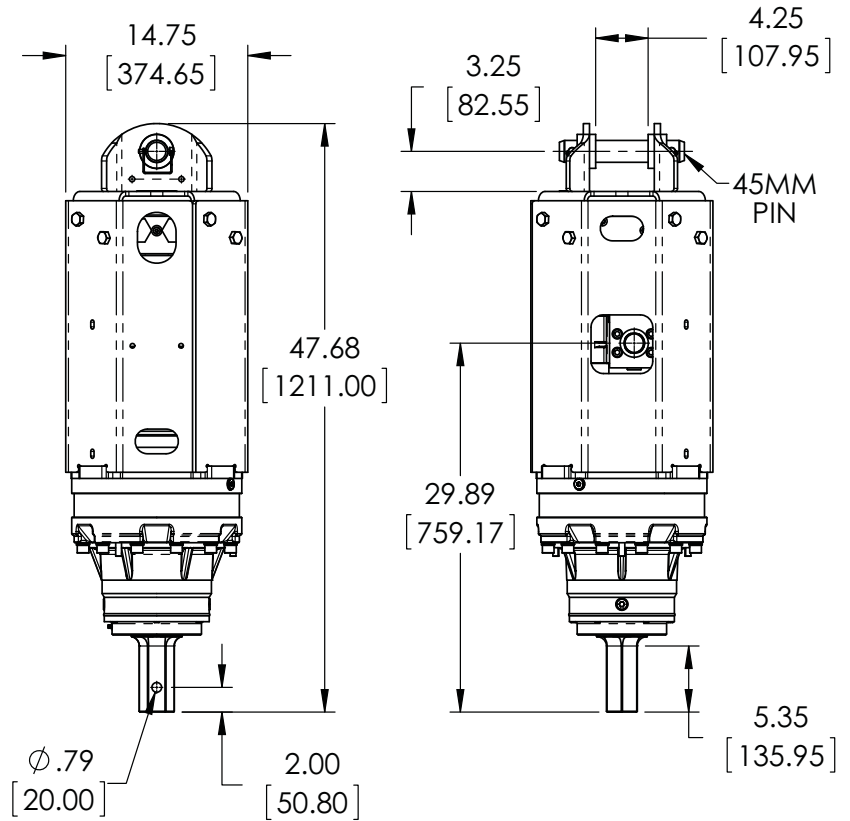
2-Speed Models must have a minimum of 20GPM

| REFERENCE SPEED CHART |           |            |
|-----------------------|-----------|------------|
| Flow GPM (Liter)      | Low (rpm) | High (rpm) |
| 20 (75)               | 13        | 25         |
| 30 (113)              | 19        | 38         |
| 40 (151)              | 25        | 50         |
| 50 (190)              | 31        | 63         |

| LOW TORQUE/HIGH SPEED OUTPUT | REFERENCE TORQUE CHART (LT / HS) |                            |                       |
|------------------------------|----------------------------------|----------------------------|-----------------------|
|                              | Pressure (psi)                   | THEORETICAL Torque (ft/lb) | ACTUAL Torque (ft/lb) |
|                              | 1000                             | 2002                       | 1642                  |
|                              | 1200                             | 2402                       | 1970                  |
|                              | 1400                             | 2802                       | 2298                  |
|                              | 1600                             | 3203                       | 8686                  |
|                              | 1800                             | 3603                       | 8954                  |
|                              | 2000                             | 4004                       | 3283                  |
|                              | 2200                             | 4404                       | 3611                  |
|                              | 2400                             | 4805                       | 3940                  |
| 2600                         | 5205                             | 4268                       |                       |
| 2800                         | 5605                             | 4596                       |                       |
| 3000                         | 6006                             | 4925                       |                       |

| HIGH TORQUE/LOW SPEED OUTPUT | REFERENCE TORQUE CHART (HT / LS) |                            |                       |
|------------------------------|----------------------------------|----------------------------|-----------------------|
|                              | Pressure (psi)                   | THEORETICAL Torque (ft/lb) | ACTUAL Torque (ft/lb) |
|                              | 1000                             | 4004                       | 3283                  |
|                              | 1200                             | 4805                       | 3940                  |
|                              | 1400                             | 5605                       | 4596                  |
|                              | 1600                             | 6406                       | 5253                  |
|                              | 1800                             | 7207                       | 5910                  |
|                              | 2000                             | 8008                       | 6567                  |
|                              | 2200                             | 8809                       | 7223                  |
|                              | 2400                             | 9610                       | 7880                  |
| 2600                         | 10410                            | 8536                       |                       |
| 2800                         | 11211                            | 9193                       |                       |
| 3000                         | 12012                            | 9850                       |                       |

Note that both theoretical and actual torque values are listed, but that Pengo recommends to go by ACTUAL torque listings.



## MOUNTS for RT-9

A Pengo Exclusive! The Long Reach Mount for Skid Steer provides maximum ground clearance of 7' to 11' and increased height capability.



|                             |
|-----------------------------|
| <b>Universal Long Reach</b> |
| LBS   361                   |
| PN   661318                 |

|                        |
|------------------------|
| <b>Universal Mount</b> |
| LBS   201              |
| PN   661111            |

Pengo offers a complete excavator mounting systems for the RT-9 unit. These mounts can be mounted directly to the boom or designed to work with an existing quick coupler.



Excavator Mounts allow for maximum movement to ensure the Drive always hangs true to the ground.

|                              |  |
|------------------------------|--|
| <b>45MM Pin</b>              |  |
| LBS   7                      |  |
| PN   660558                  |  |
| <b>45MM Link Arm</b>         |  |
| LBS   46                     |  |
| PN   660555                  |  |
| <b>2 1/2" Hex Drive Tool</b> |  |
| LBS   28                     |  |
| PN   158132                  |  |

Custom mounts can be designed for specific applications.

Pengo lists output speeds at both theoretical and actual. Actual torque numbers are NOT listed at 100% efficiency. Maximum efficiencies have been applied to the torque and speed charts according to the manufacturer's recommendations. Speed and torque output are dependent on the overall system efficiencies associated with the prime movers hydraulic system. When the purchaser is determining criteria for specific applications please contact Pengo. Pengo has made every attempt to present accurate and suitable information published in this document. This document should be used for information and comparative purposes only. When application-specific information is required, please contact Pengo.