



RT-40 ANCHOR DRIVE

TWO SPEED DRIVE UNIT | PN 610480

used for anchor installation



EXCAVATOR SIZE

15T - 25T

WEIGHT

LBS | 1440

CONNECTIONS

SQUARE
130MM

NOT RECOMMENDED
FOR DRILLING

TRULINK TORQUE PIN

RT-40 is outfitted to fit these TruLink® Torque Monitor Systems.



Class 2 with 4" Display
PN | 615001

Class 2 with 8" Display
PN | 615003

Kits include Pin, Displays, Anti-Rotation Block, Mount, Cable, Stylus, and Flash USB Drive



The RT-40 Anchor drive is perfect for the larger anchor installation projects when using an excavator. The auto shift feature allows the drive to automatically shift between high speed and low torque and low speed high torque depending on the input flow.

HYDRAULIC MOTOR INFORMATION

Displacement	15.8 cu/in (195cc)
Motor Type	Two Speed Bi-Directional
Motor Output Shaft	1 1/4" Spline 14T
Motor Mount	SAE - C 4 Bolt
Motor Ports	1 5/8" - 12-UN-2B
Cross Over Pressure Relief	Set at 3100 PSI

PLANETARY GEARBOX INFORMATION

Gearbox Type	Planetary Three Stage
Reduction Ratio	83.78:1
Output Shaft	130mm Square
Internal Oil Capacity	4 Gallons
Oil Type	SAE 80W90 GL-5
Shaft Pull Out (lbs.)	60,000



RT-40 ANCHOR DRIVE

2-Speed Models must have a minimum of 20GPM

REFERENCE SPEED CHART		
Flow GPM (Liter)	Low (rpm)	High (rpm)
20 (75)	3	6
30 (113)	4	9
40 (151)	6	12
50 (190)	7	15

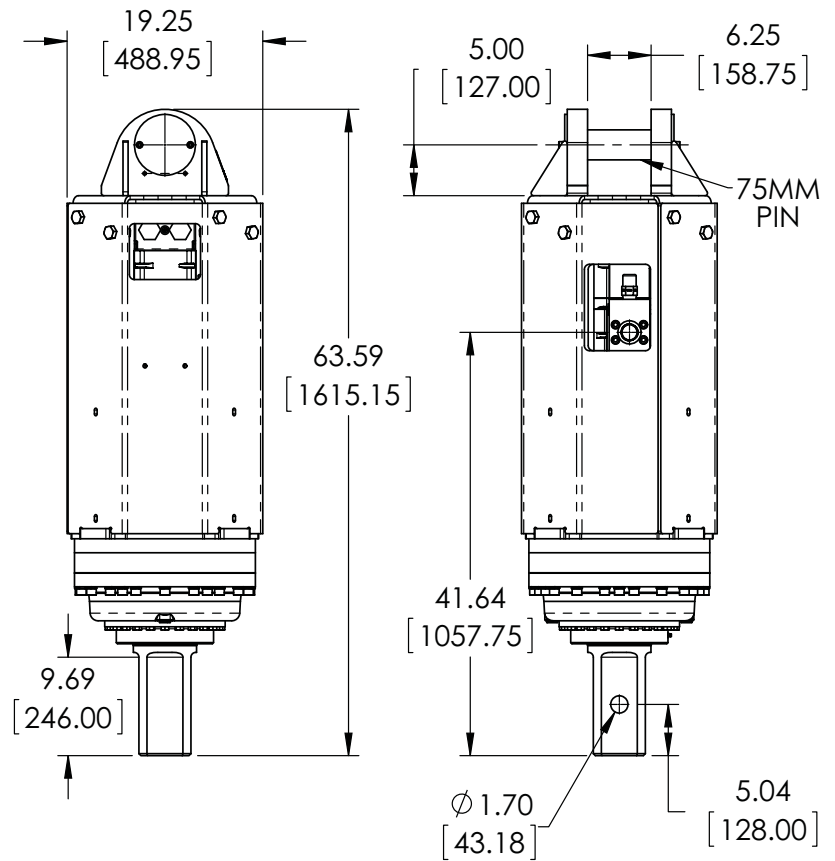
LOW TORQUE/HIGH SPEED OUTPUT

REFERENCE TORQUE CHART (LT / HS)		
Pressure (psi)	THEORETICAL Torque (ft/lb)	ACTUAL Torque (ft/lb)
1000	7726	6104
1200	9272	4325
1400	10817	8545
1600	12362	9766
1800	13908	10987
2000	15453	12208
2200	16998	13428
2400	18544	14650
2600	20089	15870
2800	21634	17091
3000	23180	18312

HIGH TORQUE/LOW SPEED OUTPUT

REFERENCE TORQUE CHART (HT / LS)		
Pressure (psi)	THEORETICAL Torque (ft/lb)	ACTUAL Torque (ft/lb)
1000	17664	13955
1200	21197	16746
1400	24730	19537
1600	28263	22328
1800	31796	25119
2000	35329	27910
2200	38862	30701
2400	42395	33492
2600	45928	36283
2800	49461	39074
3000	52994	41865

Note that both theoretical and actual torque values are listed, but that Pengo recommends to go by ACTUAL torque listings.



MOUNTS for RT-40

Pengo offers a complete excavator mounting systems for the RT-40 unit. These mounts can be mounted directly to the boom or designed to work with an existing quick coupler.

Custom mounts can be designed for specific applications.



Excavator Mounts allow for maximum movement to ensure the Drive always hangs true to the ground.



Pengo lists output speeds at both theoretical and actual. Actual torque numbers are NOT listed at 100% efficiency. Maximum efficiencies have been applied to the torque and speed charts according to the manufacturer's recommendations. Speed and torque output are dependent on the overall system efficiencies associated with the prime movers hydraulic system. When the purchaser is determining criteria for specific applications please contact Pengo. Pengo has made every attempt to present accurate and suitable information published in this document. This document should be used for information and comparative purposes only. When application-specific information is required, please contact Pengo.