



RT-30 ANCHOR DRIVE

VARIABLE SPEED DRIVE UNIT | PN 610061

used for anchor installation



EXCAVATOR SIZE

15T - 25T

WEIGHT

LBS | 1220

CONNECTIONS

SQUARE
4"

NOT RECOMMENDED
FOR DRILLING

TRULINK TORQUE PIN

RT-30 is outfitted to fit these TruLink® Torque Monitor Systems.



Class 2 with 4" Display
PN | 615001

Class 2 with 8" Display
PN | 615003

Kits include Pin, Displays, Anti-Rotation Block, Mount, Cable, Stylus, and Flash USB Drive



Use The RT-30 Anchor drive for larger projects with an excavator. The auto shift feature allows the drive to automatically shift between high speed and low torque and low speed high torque depending on the input flow.

HYDRAULIC MOTOR INFORMATION

Displacement	13.9 cu/in (195cc)
Motor Type	Two Speed Bi-Directional
Motor Output Shaft	1 1/4" Spline 14T
Motor Mount	SAE - C 4 Bolt
Motor Ports	1 5/8" - 12-UN-2B
Cross Over Pressure Relief	Set at 3100 PSI

PLANETARY GEARBOX INFORMATION

Gearbox Type	Planetary Three Stage
Reduction Ratio	69.7:1
Output Shaft	4" Square
Internal Oil Capacity	3.1 Gallons
Oil Type	SAE 80W90 GL-5
Shaft Pull Out (lbs.)	60,000



RT-30 ANCHOR DRIVE

2-Speed Models must have a minimum of 20GPM

REFERENCE SPEED CHART

Flow GPM (Liter)	Low (rpm)	High (rpm)
20 (75)	4	8
30 (113)	6	11
40 (151)	8	15
50 (190)	9	19

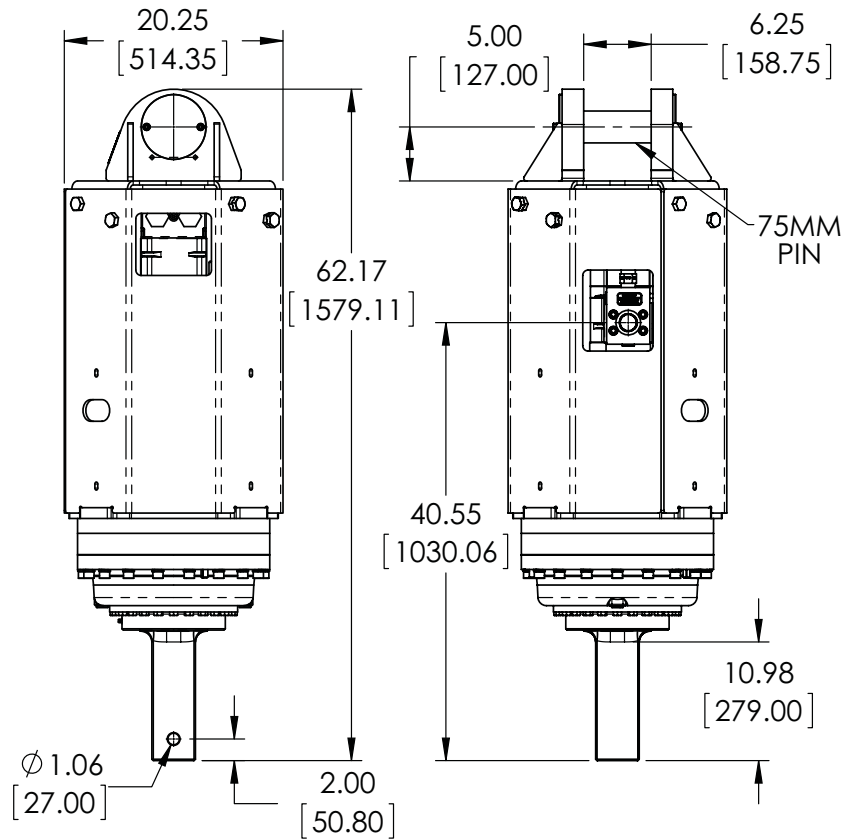
REFERENCE TORQUE CHART (LT / HS)

Pressure (psi)	THEORETICAL Torque (ft/lb)	ACTUAL Torque (ft/lb)
1000	6428	5078
1200	7713	6093
1400	8999	7109
1600	10285	8125
1800	11570	9140
2000	12856	10156
2200	14141	11171
2400	15427	12187
2600	16713	13203
2800	17998	14218
3000	19284	15234

REFERENCE TORQUE CHART (HT / LS)

Pressure (psi)	THEORETICAL Torque (ft/lb)	ACTUAL Torque (ft/lb)
1000	12856	10156
1200	15427	12187
1400	17998	14210
1600	20570	16250
1800	23141	18281
2000	25712	20312
2200	28283	22344
2400	30855	24375
2600	33426	26407
2800	35997	28438
3000	38569	30470

Note that both theoretical and actual torque values are listed, but that Pengo recommends to go by ACTUAL torque listings.



LOW TORQUE/HIGH SPEED OUTPUT

HIGH TORQUE/LOW SPEED OUTPUT

MOUNTS for RT-30

Pengo offers a complete excavator mounting systems for the RT-30 unit. These mounts can be mounted directly to the boom or designed to work with an existing quick coupler.

Custom mounts can be designed for specific applications.



Excavator Mounts allow for maximum movement to ensure the Drive always hangs true to the ground.

75MM Pin

LBS | 10

PN | 660554

75MM Link Arm

LBS | 137

PN | 610202

4" Square Drive Tool

LBS | 35

PN | 660951

Pengo lists output speeds at both theoretical and actual. Actual torque numbers are NOT listed at 100% efficiency. Maximum efficiencies have been applied to the torque and speed charts according to the manufacturer's recommendations. Speed and torque output are dependent on the overall system efficiencies associated with the prime movers hydraulic system. When the purchaser is determining criteria for specific applications please contact Pengo. Pengo has made every attempt to present accurate and suitable information published in this document. This document should be used for information and comparative purposes only. When application-specific information is required, please contact Pengo.