

RS-7X ANCHOR DRIVE



SINGLE SPEED DRIVE UNIT | PN 610206

used for anchor installation

DID YOU KNOW:

The RS-7X hand-held drive can easily be converted to use on a skid steer or mini excavator. Just attach the RS-7 bail assembly and you are set to go.



Standard cross-over pressure relief system that is designed to protect the motor from pressure spikes and potential overload conditions



Highly Efficient Gearbox designed for long duty cycles



2" Hex Output Shaft



EXCAVATOR SIZE

NA

WEIGHT

LBS | 120

CONNECTIONS

HEX

2"

NOT RECOMMENDED FOR DRILLING

TRULINK TORQUE PIN

Not applicable with this model.



HYDRAULIC MOTOR INFORMATION

Displacement	18.7 cu/in (306cc)
Motor Type	Single Speed Bi-Directional
Motor Output Shaft	1" 6B Spline
Motor Mount	SAE - A 2 Bolt
Motor Ports	3/4" - 16 O-Ring
Cross Over Pressure Relief	Set at 2700 PSI

PLANETARY GEARBOX INFORMATION

Gearbox Type	Planetary Two Stage
Reduction Ratio	14.79:1
Output Shaft	2" Hex
Internal Oil Capacity	.50 Gallons
Oil Type	SAE 80W90 GL-5
Shaft Pull Out (lbs.)	3,000

Designed to fit with stand-alone power packs, the RS-7X provides the versatility to be mounted to a skid steer when the bail assembly (sold separately) is attached. This anchor drive allows you to work in small hard to reach places.

RS-7X ANCHOR DRIVE



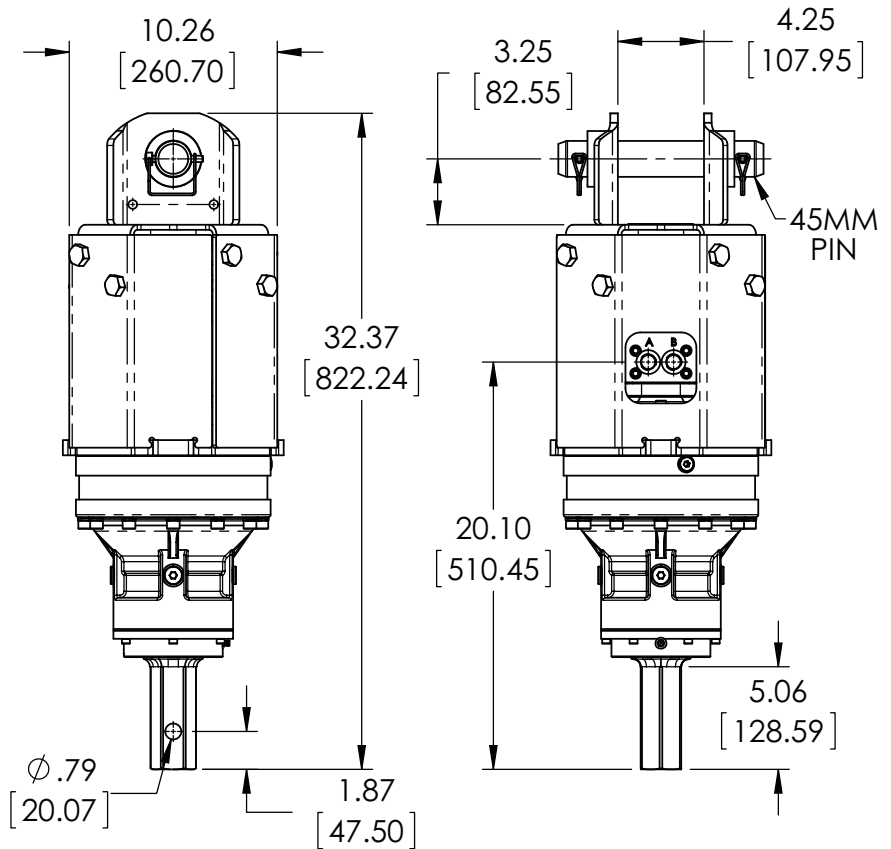
REFERENCE SPEED CHART

Flow GPM (Liter)	Speed (rpm)
10 (38)	7
15 (56)	10
20 (75)	14
25 (94)	17

REFERENCE TORQUE CHART

Pressure (psi)	THEORETICAL Torque (ft/lb)	ACTUAL Torque (ft/lb)
1000	3664	3004
1300	4763	3906
1500	5496	4507
1700	6229	5108
1900	6962	5709
2100	7695	6310
2300	8428	6911
2500	9161	7512

Note that both theoretical and actual torque values are listed, but that Pengo recommends to go by ACTUAL torque listings.



Pin for 2" Hex Output

LBS | 2

PN | 135015

2" Hex Drive Tool

LBS | 20

PN | 661342



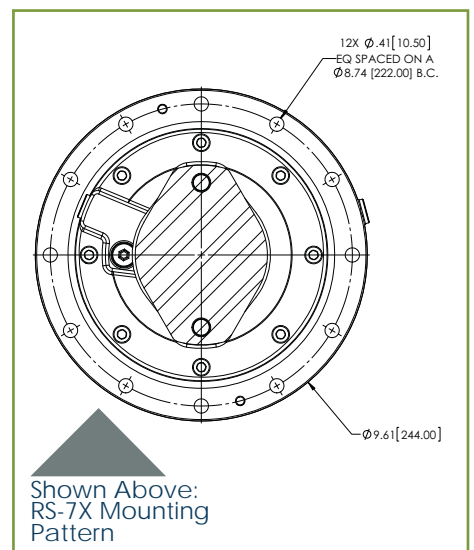
Add the RS-7 Bail Assembly to use on Skid Steer or Mini Excavator



RS-7 Bail Assembly

LBS | 17

PN | 610288



Pengo lists output speeds at both theoretical and actual. Actual torque numbers are NOT listed at 100% efficiency. Maximum efficiencies have been applied to the torque and speed charts according to the manufacturer's recommendations. Speed and torque output are dependent on the overall system efficiencies associated with the prime movers hydraulic system. When the purchaser is determining criteria for specific applications please contact Pengo. Pengo has made every attempt to present accurate and suitable information published in this document. This document should be used for information and comparative purposes only. When application-specific information is required, please contact Pengo.