

# RS-7 ANCHOR DRIVE



SINGLE SPEED DRIVE UNIT | PN 610207

used for anchor installation



EXCAVATOR SIZE

3T - 6T

CONNECTIONS

HEX 2"

WEIGHT

LBS | 170

NOT RECOMMENDED FOR DRILLING

## TRULINK TORQUE PIN

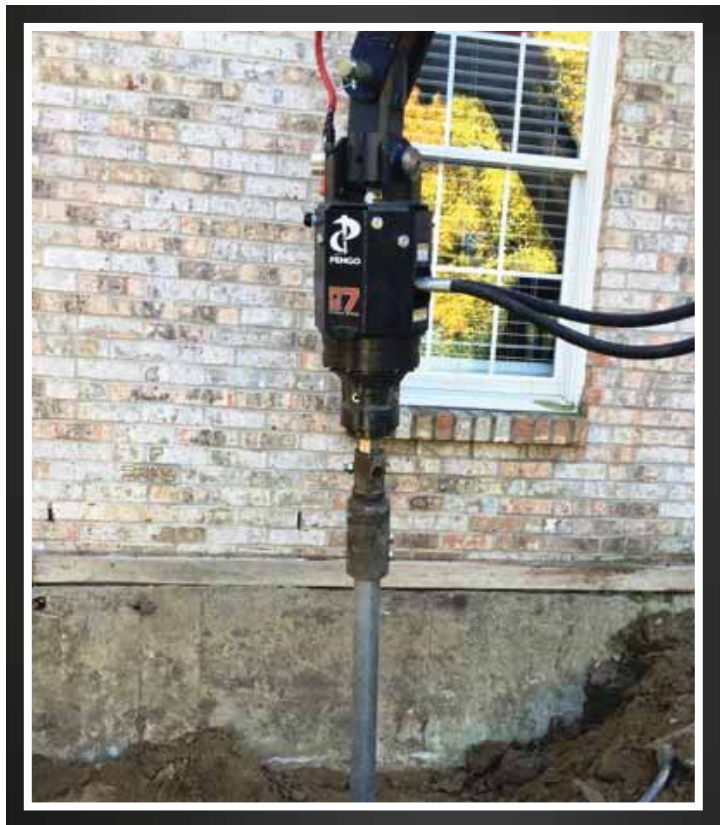
RS-7 is outfitted to fit these TruLink® Torque Monitor Systems.



Class 1 with 4" Display  
PN | 615000

Class 1 with 8" Display  
PN | 615002

Kits include Pin, Displays, Anti-Rotation Block, Mount, Cable, Stylus, and Flash USB Drive



Choose the single speed RS-7 anchor drive for your next installation project. The standard cross-over pressure relief system will protect the hydraulic motor from pressure spikes and potential overload conditions. Add a mount and the TruLink® for the complete drive system.

### HYDRAULIC MOTOR INFORMATION

Displacement	18.7 cu/in (306cc)
Motor Type	Single Speed Bi-Directional
Motor Output Shaft	1" 6B Spline
Motor Mount	SAE - A 2 Bolt
Motor Ports	3/4" - 16 O-Ring
Cross Over Pressure Relief	Set at 2700 PSI

### PLANETARY GEARBOX INFORMATION

Gearbox Type	Planetary Two Stage
Reduction Ratio	14.79:1
Output Shaft	2" Hex
Internal Oil Capacity	.50 Gallons
Oil Type	SAE 80W90 GL-5
Shaft Pull Out (lbs.)	7,000

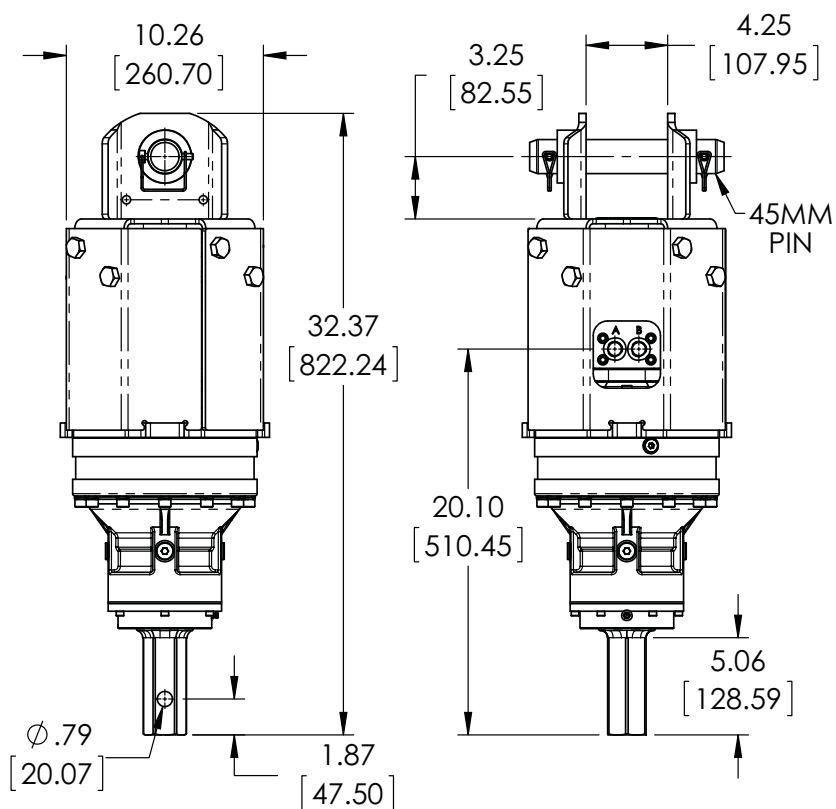
# RS-7 ANCHOR DRIVE



REFERENCE SPEED CHART		
Flow GPM (Liter)	Speed (rpm)	
10 (38)	7	
15 (56)	10	
20 (75)	14	
25 (94)	17	

REFERENCE TORQUE CHART		
Pressure (psi)	THEORETICAL Torque (ft/lb)	ACTUAL Torque (ft/lb)
1000	3664	3004
1300	4763	3906
1500	5496	4507
1700	6229	5108
1900	6962	5709
2100	7695	6310
2300	8428	6911
2500	9161	7512

Note that both theoretical and actual torque values are listed, but that Pengo recommends to go by ACTUAL torque listings.



## 45MM Link Arm

LBS | 46

PN | 660555



## 45MM Pin

LBS | 7

PN | 660558



## 2" Hex Drive Tool

LBS | 20

PN | 661342



## Pin for 2" Hex Output

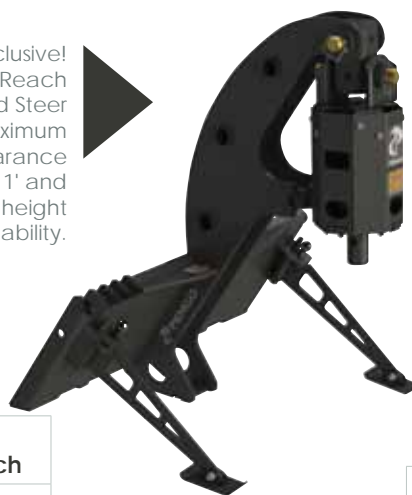
LBS | 2

PN | 135015



## MOUNTS for RS-7

A Pengo Exclusive! The Long Reach Mount for Skid Steer provides maximum ground clearance of 7' to 11' and increased height capability.



### Universal Long Reach

LBS | 361

PN | 661318



### Universal Mount

LBS | 201

PN | 661111

Pengo lists output speeds at both theoretical and actual. Actual torque numbers are NOT listed at 100% efficiency. Maximum efficiencies have been applied to the torque and speed charts according to the manufacturer's recommendations. Speed and torque output are dependent on the overall system efficiencies associated with the prime movers hydraulic system. When the purchaser is determining criteria for specific applications please contact Pengo. Pengo has made every attempt to present accurate and suitable information published in this document. This document should be used for information and comparative purposes only. When application-specific information is required, please contact Pengo.