

RS-6X ANCHOR DRIVE



SINGLE SPEED DRIVE UNIT | PN 610659

used for anchor installation

EXCAVATOR SIZE	WEIGHT
NA	LBS 87
CONNECTIONS	NOT RECOMMENDED FOR DRILLING
HEX 2"	

TRULINK TORQUE PIN
Not applicable with this model.



DID YOU KNOW:
The RS-6X hand-held drive can easily be converted to use on a skid steer or mini excavator. Just attach the RS-6 bail assembly and you are set to go.



The light weight RS-6X offers the shortest overall length and smallest diameter and will be perfect for any hand-held operation to install anchors in those hard to reach places.

HYDRAULIC MOTOR INFORMATION	
Displacement	18.7 cu/in (306cc)
Motor Type	Single Speed Bi-Directional
Motor Output Shaft	1" 6B Spline
Motor Mount	SAE - A 2 Bolt
Motor Ports	3/4" - 16 O-Ring
Cross Over Pressure Relief	Set at 2700 PSI
PLANETARY GEARBOX INFORMATION	
Gearbox Type	Planetary Two Stage
Reduction Ratio	13.29:1
Output Shaft	2" Hex
Internal Oil Capacity	.50 Gallons
Oil Type	SAE 80W90 GL-5
Shaft Pull Out (lbs.)	3,000

RS-6X ANCHOR DRIVE



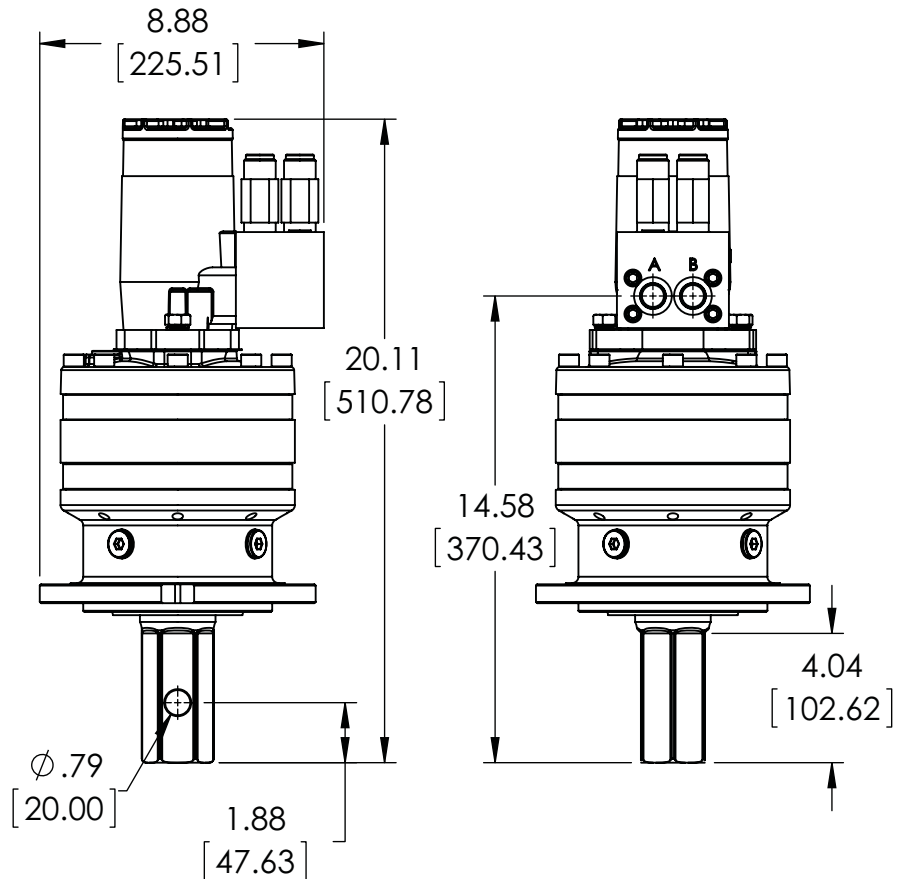
REFERENCE SPEED CHART

Flow GPM (Liter)	Speed (rpm)	
10 (38)	9	
15 (56)	14	
20 (75)	19	
25 (94)	23	

REFERENCE TORQUE CHART

Pressure (psi)	THEORETICAL Torque (ft/lb)	ACTUAL Torque (ft/lb)
1000	3292	2699
1300	4280	3510
1500	4939	4050
1700	5597	4590
1900	6256	5130
2100	6915	5670
2300	7573	6210
2500	9232	6750

Note that both theoretical and actual torque values are listed, but that Pengo recommends to go by ACTUAL torque listings.



Pin for 2" Hex Output

LBS | 2

PN | 135015

2" Hex Drive Tool

LBS | 20

PN | 661342



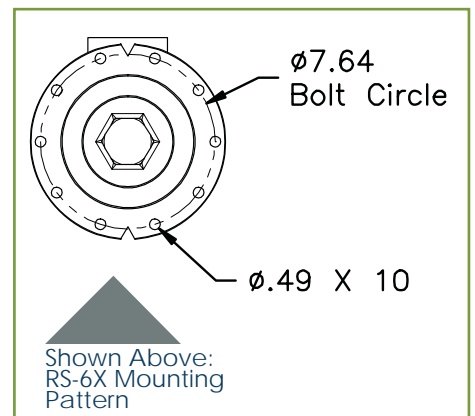
Add the RS-6 Bail Assembly to use on Skid Steer or Mini Excavator



RS-6 Bail Assembly

LBS | 17

PN | 610698



Pengo lists output speeds at both theoretical and actual. Actual torque numbers are NOT listed at 100% efficiency. Maximum efficiencies have been applied to the torque and speed charts according to the manufacturer's recommendations. Speed and torque output are dependent on the overall system efficiencies associated with the prime movers hydraulic system. When the purchaser is determining criteria for specific applications please contact Pengo. Pengo has made every attempt to present accurate and suitable information published in this document. This document should be used for information and comparative purposes only. When application-specific information is required, please contact Pengo.