

RS-6 ANCHOR DRIVE



SINGLE SPEED DRIVE UNIT | PN 610658

used for anchor installation

Pengo introduced the RS-6 to the Revolution Drive line in 2014. This unit was designed to provide anchor installers a small, light-weight unit to be used in hard to reach places.



EXCAVATOR SIZE 3T - 6T	WEIGHT LBS 165
CONNECTIONS HEX 2"	NOT RECOMMENDED FOR DRILLING

TRULINK TORQUE PIN 

DT-5 is outfitted to fit these TruLink® Torque Monitor Systems.

Class 1 with 4" Display PN 615000
Class 1 with 8" Display PN 615002

Kits include Pin, Displays, Anti-Rotation Block, Mount, Cable, Stylus, and Flash USB Drive



The RS-6 Anchor Drive is similar to the RX-6 but includes the bail housing. The RS-6 drives will attach to your skid steer or mini-excavator and it offers the shortest overall length and smallest diameter for drilling. The RS-6 will allow your prime mover access to the tight spaces.

HYDRAULIC MOTOR INFORMATION	
Displacement	18.7 cu/in (306cc)
Motor Type	Single Speed Bi-Directional
Motor Output Shaft	1" 6B Spline
Motor Mount	SAE - A 2 Bolt
Motor Ports	3/4" - 16 O-Ring
Cross Over Pressure Relief	Set at 2700 PSI
PLANETARY GEARBOX INFORMATION	
Gearbox Type	Planetary Two Stage
Reduction Ratio	13.29:1
Output Shaft	2" Hex
Internal Oil Capacity	.50 Gallons
Oil Type	SAE 80W90 GL-5
Shaft Pull Out (lbs.)	3,000

RS-6 ANCHOR DRIVE



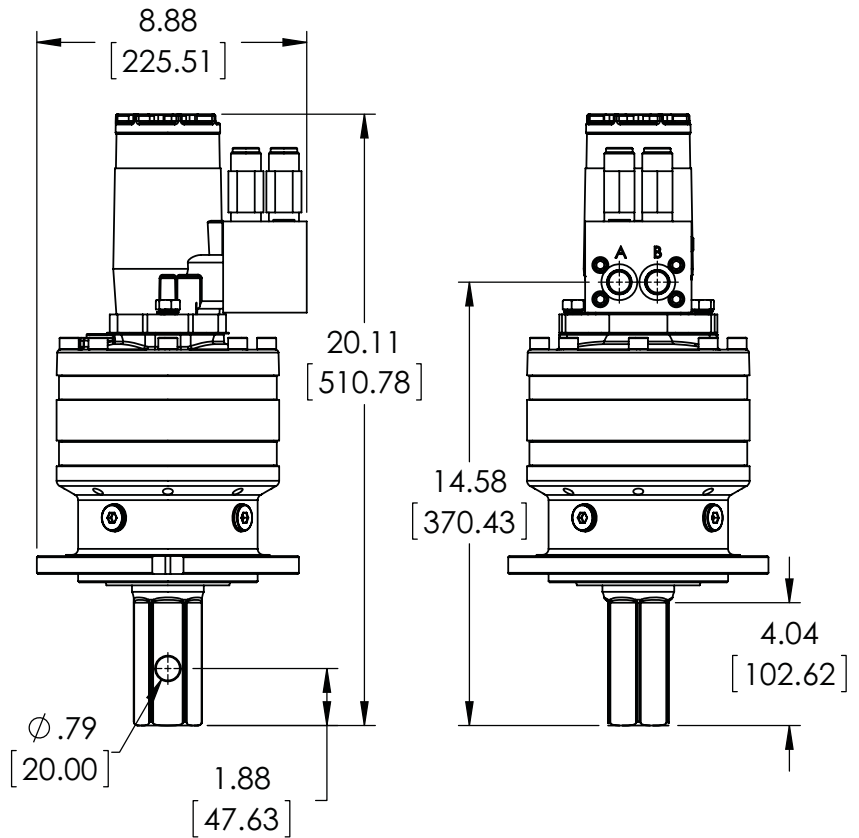
REFERENCE SPEED CHART

Flow GPM (Liter)	Speed (rpm)	
10 (38)	9	
15 (56)	14	
20 (75)	19	
25 (94)	23	

REFERENCE TORQUE CHART

Pressure (psi)	THEORETICAL Torque (ft/lb)	ACTUAL Torque (ft/lb)
1000	3292	2699
1300	4280	3510
1500	4939	4050
1700	5597	4590
1900	6256	5130
2100	6915	5670
2300	7573	6210
2500	9232	6750

Note that both theoretical and actual torque values are listed, but that Pengo recommends to go by ACTUAL torque listings.



45MM Link Arm

LBS | 46

PN | 660555



45MM Pin

LBS | 7

PN | 660558



2" Hex Drive Tool

LBS | 20

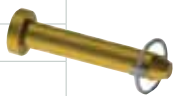
PN | 661342



Pin for 2" Hex Output

LBS | 2

PN | 135015



MOUNTS for RS-6

A Pengo Exclusive!
The Long Reach Mount for Skid Steer provides maximum ground clearance of 7' to 11' and increased height capability.



Universal Long Reach

LBS | 361

PN | 661318



Universal Mount

LBS | 201

PN | 661111

Pengo lists output speeds at both theoretical and actual. Actual torque numbers are NOT listed at 100% efficiency. Maximum efficiencies have been applied to the torque and speed charts according to the manufacturer's recommendations. Speed and torque output are dependent on the overall system efficiencies associated with the prime movers hydraulic system. When the purchaser is determining criteria for specific applications please contact Pengo. Pengo has made every attempt to present accurate and suitable information published in this document. This document should be used for information and comparative purposes only. When application-specific information is required, please contact Pengo.