

# MS-125 DRILLING DRIVE



**SINGLE SPEED DRIVE UNIT** | See part nos. listed below

use Pengo Landscape Aggressor® Augers

**SINGLE SWIVEL**

PN 700153 (H-200) | PN 700256 (R-256)

**DOUBLE SWIVEL**

PN 700313 (H-200) | PN 700303 (R-256)

Highly Efficient Gearbox designed for long duty cycles →

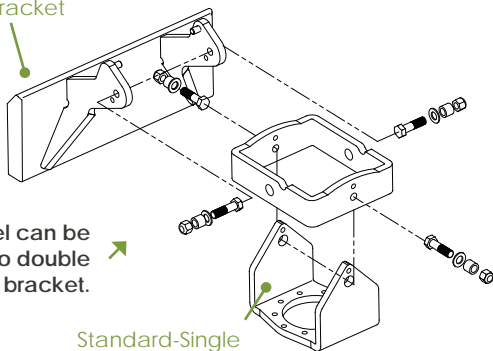


2 9/16" Round Output Shaft  
2" Hex Available

Double-Swivel Bracket

Single Swivel can be converted to double swivel with bracket.

Standard-Single Swivel Bracket



<b>CONNECTION</b>		<b>MAX HOLE DEPTH</b>	4'
HEX	2"	<b>MAX HOLE DIA.</b>	4"
ROUND	2 9/16"	<b>WEIGHT</b>	LBS   146

**TRULINK TORQUE PIN**

Not applicable with this model.



This single speed Revolution Drive for mini skid steer is your solution to backyard dirt digging. It's compact size accommodates the Landscape Aggressor auger perfectly. Universal Compact Skid Mount and Hydraulic Hoses included. Note that both theoretical and actual torque values are listed, but that Pengo recommends to go by ACTUAL torque listings.

**HYDRAULIC MOTOR INFORMATION**

Displacement	16.1 cu/in (100cc)
Motor Type	Single Speed Bi-Directional
Motor Output Shaft	7/8" Spline 14T
Motor Mount	SAE - A 2 Bolt
Motor Ports	1/2" BSP
Cross Over Pressure Relief	Not Equipped

**PLANETARY GEARBOX INFORMATION**

Gearbox Type	Planetary Single Stage
Reduction Ratio	5.77:1
Output Shaft	2" Hex or 2 9/16" Round
Internal Oil Capacity	.13 Gallons
Oil Type	SAE 80W90 GL-5

# MS-125 DRILLING DRIVE

REFERENCE SPEED CHART

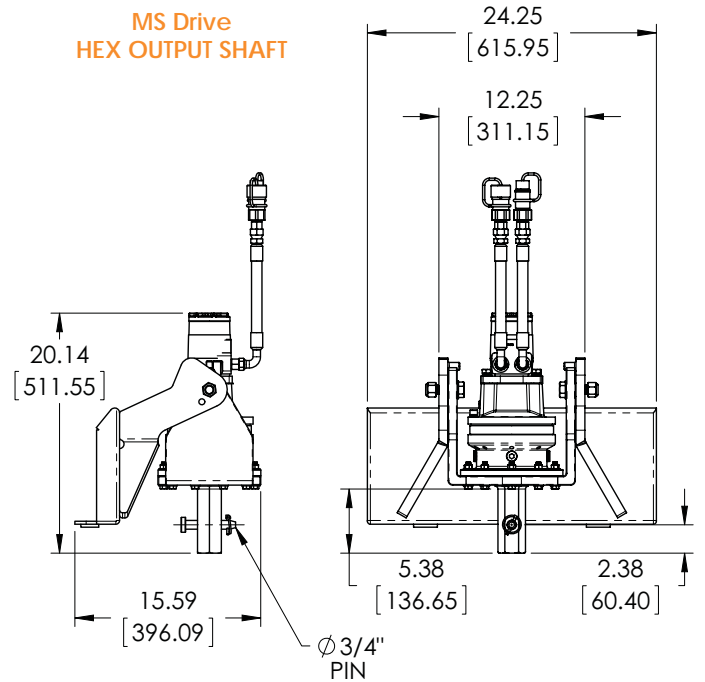
Flow GPM (Liter)	Speed (rpm)	
10 (38)	45	
15 (56)	67	
20 (75)	90	
25 (94)	112	

REFERENCE TORQUE CHART

Pressure (psi)	THEORETICAL Torque (ft/lb)	ACTUAL Torque (ft/lb)
1200	672	551
1400	784	643
1600	897	736
1800	1009	827
2000	1121	919
2200	1233	1011
2400	1345	1103
2600	1457	1195
2800	1569	1287
3000	1681	1378

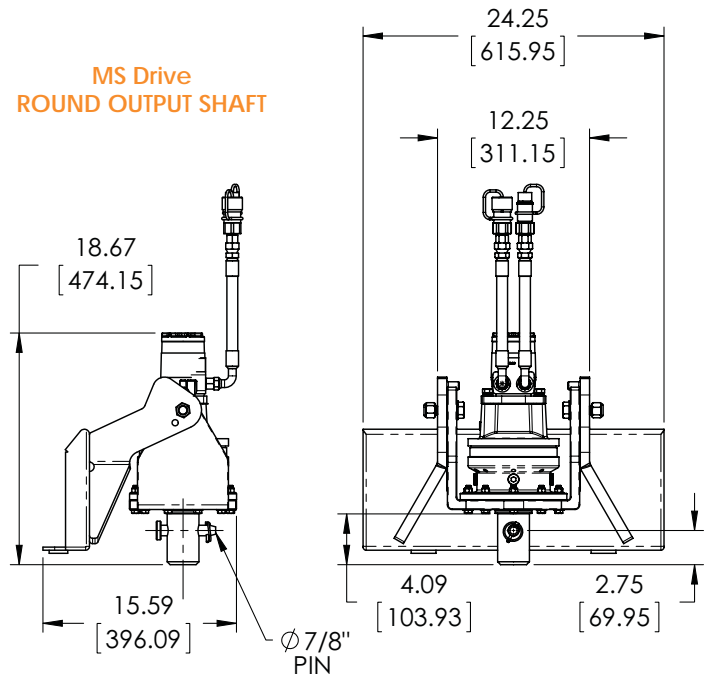
Note that both theoretical and actual torque values are listed, but that PENGO recommends to go by ACTUAL torque listings.

MS Drive  
HEX OUTPUT SHAFT



7/8" Pin  
LBS | 4  
PN | 151605

MS Drive  
ROUND OUTPUT SHAFT



Double Swivel  
Bracket

LBS | 14.6  
PN | 158136

Drive not included.



MS Drive  
attached to  
Double Swivel  
Bracket

Pengo lists output speeds at both theoretical and actual. Actual torque numbers are NOT listed at 100% efficiency. Maximum efficiencies have been applied to the torque and speed charts according to the manufacturer's recommendations. Speed and torque output are dependent on the overall system efficiencies associated with the prime movers hydraulic system. When the purchaser is determining criteria for specific applications please contact Pengo. Pengo has made every attempt to present accurate and suitable information published in this document. This document should be used for information and comparative purposes only. When application-specific information is required, please contact Pengo.