

MS-100 DRILLING DRIVE



SINGLE SPEED DRIVE UNIT | See part nos. listed below

use Pengo Landscape Aggressor® Augers

SINGLE SWIVEL

PN 700152 (H-200) | PN 700257 (R-256)

DOUBLE SWIVEL

PN 700312 (H-200) | PN 700302 (R-256)

Highly Efficient Gearbox designed for long duty cycles →

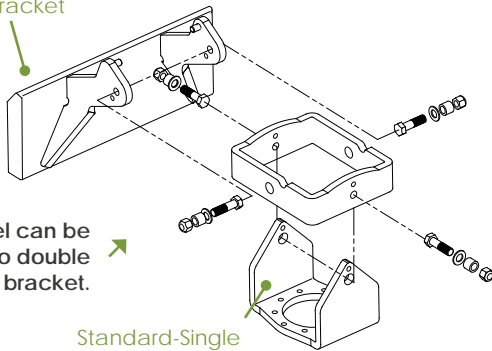


Double-Swivel Bracket

2 9/16" Round Output Shaft
2" Hex Available

Single Swivel can be converted to double swivel with bracket. →

Standard-Single Swivel Bracket



CONNECTION		MAX HOLE DEPTH	4'
HEX	2"	MAX HOLE DIA.	4"
ROUND	2 9/16"	WEIGHT	LBS 146

TRULINK TORQUE PIN

Not applicable with this model.



This single speed Revolution Drive for mini skid steer is your solution to backyard dirt digging. It's compact size accommodates the Landscape Aggressor auger perfectly. Universal Compact Skid Mount and Hydraulic Hoses included. Note that both theoretical and actual torque values are listed, but that Pengo recommends to go by ACTUAL torque listings.

HYDRAULIC MOTOR INFORMATION

Displacement	16.1 cu/in (100cc)
Motor Type	Single Speed Bi-Directional
Motor Output Shaft	7/8" Spline 14T
Motor Mount	SAE - A 2 Bolt
Motor Ports	1/2" BSP
Cross Over Pressure Relief	Not Equipped

PLANETARY GEARBOX INFORMATION

Gearbox Type	Planetary Single Stage
Reduction Ratio	5.77:1
Output Shaft	2" Hex or 2 9/16" Round
Internal Oil Capacity	.13 Gallons
Oil Type	SAE 80W90 GL-5

MS-100 DRILLING DRIVE

REFERENCE SPEED CHART

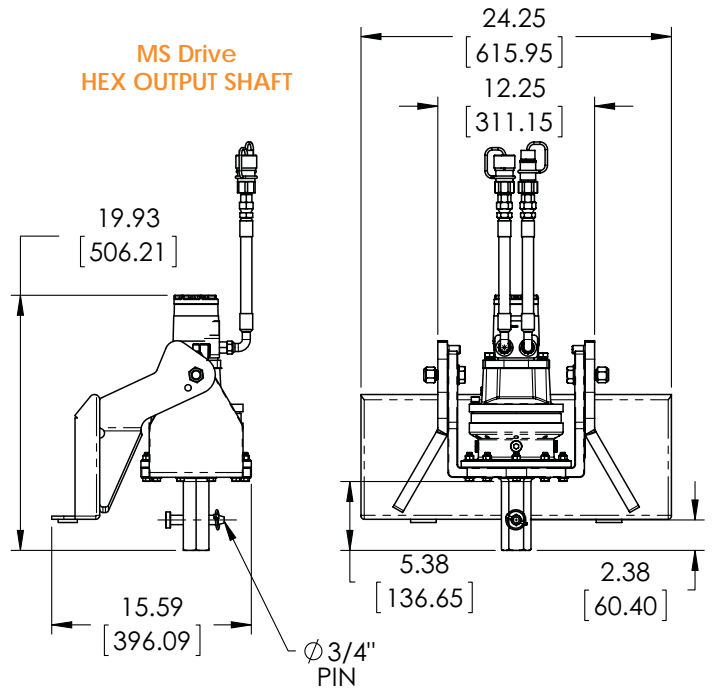
Flow GPM (Liter)	Speed (rpm)	
10 (38)	54	
15 (56)	80	
20 (75)	108	
25 (94)	134	

REFERENCE TORQUE CHART

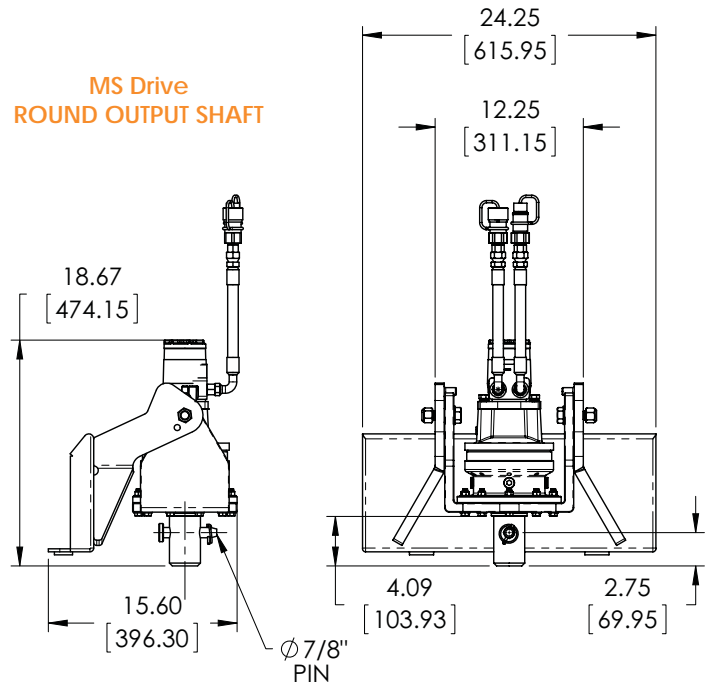
Pressure (psi)	THEORETICAL Torque (ft/lb)	ACTUAL Torque (ft/lb)
1200	560	459
1400	654	536
1600	747	613
1800	840	689
2000	934	766
2200	1027	842
2400	1121	919
2600	1308	995
2800	2550	1073
3000	2733	1149

Note that both theoretical and actual torque values are listed, but that Pengo recommends to go by ACTUAL torque listings.

MS Drive
HEX OUTPUT SHAFT



MS Drive
ROUND OUTPUT SHAFT



7/8" Pin

LBS | 4

PN | 151605



Double Swivel
Bracket

LBS | 14.6

PN | 158136

Drive not included.



MS Drive
attached to
Double Swivel
Bracket

Pengo lists output speeds at both theoretical and actual. Actual torque numbers are NOT listed at 100% efficiency. Maximum efficiencies have been applied to the torque and speed charts according to the manufacturer's recommendations. Speed and torque output are dependent on the overall system efficiencies associated with the prime movers hydraulic system. When the purchaser is determining criteria for specific applications please contact Pengo. Pengo has made every attempt to present accurate and suitable information published in this document. This document should be used for information and comparative purposes only. When application-specific information is required, please contact Pengo.