



DV-40 DRILLING DRIVE

VARIABLE SPEED DRIVE UNIT | PN 610385

use Pengo's Excavator Augers



EXCAVATOR SIZE	MAX HOLE DEPTH	20'
15T - 25T	MAX HOLE DIA.	7'
CONNECTIONS	WEIGHT	LBS 1500
SQUARE 130MM		

TRULINK TORQUE PIN

DV-40 is outfitted to fit these TruLink® Torque Monitor Systems.



Class 2 with 4" Display
PN | 615001

Class 2 with 8" Display
PN | 615003

Kits include Pin, Displays, Anti-Rotation Block, Mount, Cable, Stylus, and Flash USB Drive



The DV-40 is the largest drilling drive in the Revolution Series. This drive with turn Pengo Excavator augers 25' deep and as wide as 7' in diameter. Like the DV-30 it is able to drill in most rock, dirt and frozen ground drilling conditions.

HYDRAULIC MOTOR INFORMATION	
Displacement	10.06 cu/in (165cc)
Motor Type	Variable Speed Bi-Directional
Motor Output Shaft	8/16" Spline 13T
Motor Mount	SAE - D 2 Bolt
Motor Ports	Radial (Quick Coupler)
Cross Over Pressure Relief	None
PLANETARY GEARBOX INFORMATION	
Gearbox Type	Planetary Three Stage
Reduction Ratio	83.78:1
Output Shaft	130mm Square
Internal Oil Capacity	4.0 Gallons
Oil Type	SAE 80W90 GL-5
Shaft Pull Out (lbs.)	60,000 lbs.



DV-40 DRILLING DRIVE

Variable Speed Models must have a drain line.

REFERENCE SPEED CHART

Flow GPM (Liter)	Low (rpm)	High (rpm)
40 (151)	9	23
45 (169)	10	25
50 (188)	12	28
55 (206)	13	31
60 (225)	14	34

REFERENCE TORQUE CHART (LT / HS)

Pressure (psi)	THEORETICAL Torque (ft/lb)	ACTUAL Torque (ft/lb)
2000	9225	7841
2200	10148	8626
2400	11071	9410
2600	11993	10194
2800	12916	10979
3000	13838	11762
3200	14761	12547
3400	15684	13331
3600	16606	14115
3800	17529	14900
4000	18451	15683

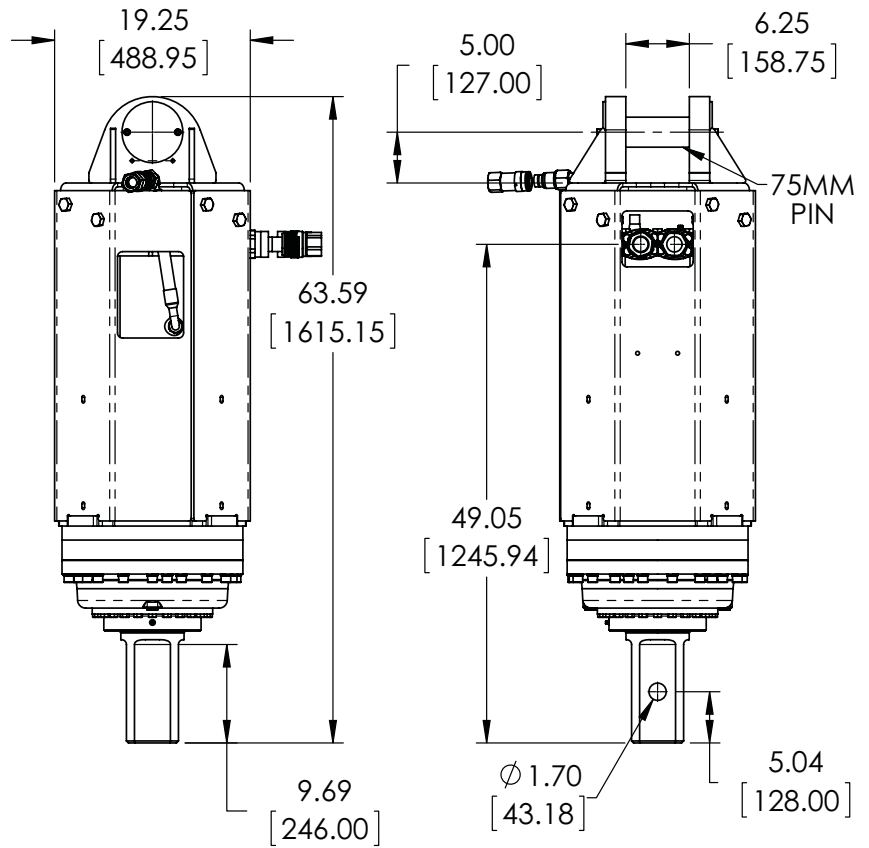
LOW TORQUE/HIGH SPEED OUTPUT

REFERENCE TORQUE CHART (HT / LS)

Pressure (psi)	THEORETICAL Torque (ft/lb)	ACTUAL Torque (ft/lb)
2000	22386	19028
2200	24625	20931
2400	26863	22834
2600	29102	24737
2800	31341	26640
3000	33579	28542
3200	35818	30445
3400	38057	32348
3600	40295	34251
3800	42534	36154
4000	44772	38056

HIGH TORQUE/LOW SPEED OUTPUT

Note that both theoretical and actual torque values are listed, but that Pengo recommends to go by ACTUAL torque listings.



MOUNTS for DV-40

Pengo offers a complete excavator mounting systems for the DV-40 unit. These mounts can be mounted directly to the boom or designed to work with an existing quick coupler.

Custom mounts can be designed for specific applications.



Excavator Mounts allow for maximum movement to ensure the Drive always hangs true to the ground.

75MM Pin

LBS | 10

PN | 660554

75MM Link Arm

LBS | 137

PN | 610202

130MM SQ Drive Tool

LBS | 35

PN | 610301

Pengo lists output speeds at both theoretical and actual. Actual torque numbers are NOT listed at 100% efficiency. Maximum efficiencies have been applied to the torque and speed charts according to the manufacturer's recommendations. Speed and torque output are dependent on the overall system efficiencies associated with the prime movers hydraulic system. When the purchaser is determining criteria for specific applications please contact Pengo. Pengo has made every attempt to present accurate and suitable information published in this document. This document should be used for information and comparative purposes only. When application-specific information is required, please contact Pengo.