



# DV-30 DRILLING DRIVE

VARIABLE SPEED DRIVE UNIT | PN 610384

use Pengo's Excavator Augers



EXCAVATOR SIZE	MAX HOLE DEPTH	20'
15T - 25T	MAX HOLE DIA.	6'
CONNECTIONS	WEIGHT	LBS   1250
SQUARE 4"		

## TRULINK TORQUE PIN

*DV-30 is outfitted to fit these TruLink® Torque Monitor Systems.*



Class 2 with 4" Display  
PN | 615001

Class 2 with 8" Display  
PN | 615003

Kits include Pin, Displays, Anti-Rotation Block, Mount, Cable, Stylus, and Flash USB Drive



The High Speed DV-30 Drive is compatible with Pengo's Excavator Auger system. The drive will drill holes up to 20' deep and 6' in diameter in rock, dirt and frozen ground.

HYDRAULIC MOTOR INFORMATION	
Displacement	10.06 cu/in (165cc)
Motor Type	Variable Speed Bi-Directional
Motor Output Shaft	8/16" Spline 13T
Motor Mount	SAE - D 2 Bolt
Motor Ports	Radial (Quick Coupler)
Cross Over Pressure Relief	None
PLANETARY GEARBOX INFORMATION	
Gearbox Type	Planetary Three Stage
Reduction Ratio	69.7:1
Output Shaft	4" Square
Internal Oil Capacity	3.17 Gallons
Oil Type	SAE 80W90 GL-5
Shaft Pull Out (lbs.)	60,000 lbs.



# DV-30 DRILLING DRIVE

Variable Speed Models must have a drain line.

REFERENCE SPEED CHART		
Flow GPM (Liter)	Low (rpm)	High (rpm)
40 (151)	11	27
45 (169)	13	31
50 (188)	14	34
55 (206)	15	37
60 (225)	17	41

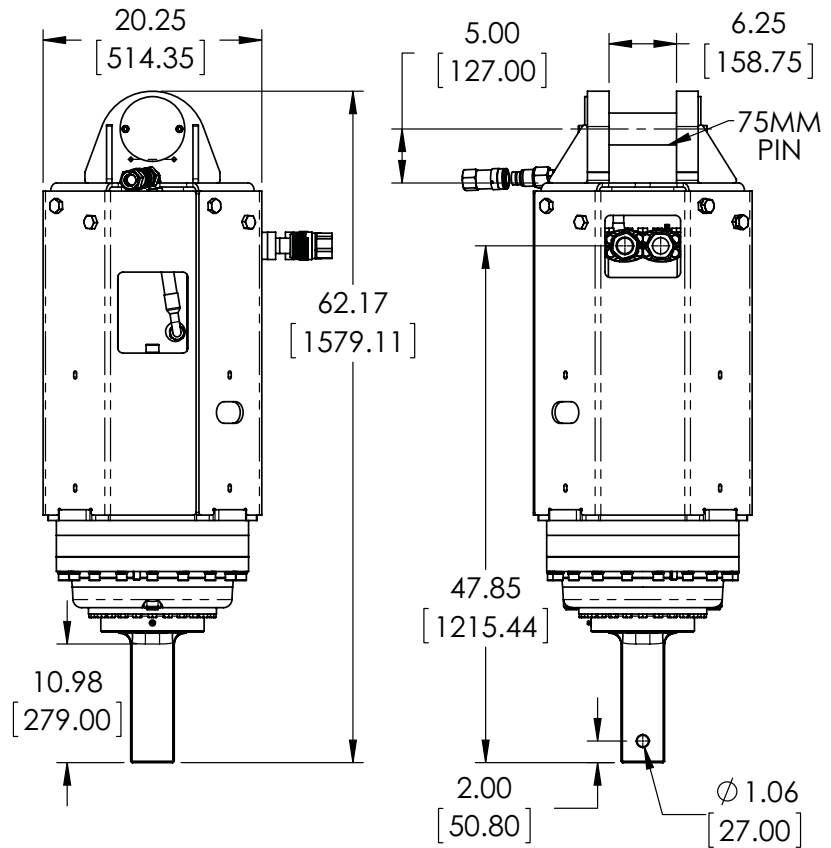
LOW TORQUE/HIGH SPEED OUTPUT

REFERENCE TORQUE CHART (LT / HS)		
Pressure (psi)	THEORETICAL Torque (ft/lb)	ACTUAL Torque (ft/lb)
2000	7675	6524
2200	8442	7176
2400	9210	7829
2600	9978	8481
2800	10745	9133
3000	11513	9786
3200	12280	10438
3400	13048	11091
3600	13815	11743
3800	14583	12396
4000	15350	13048

HIGH TORQUE/LOW SPEED OUTPUT

REFERENCE TORQUE CHART (HT / LS)		
Pressure (psi)	THEORETICAL Torque (ft/lb)	ACTUAL Torque (ft/lb)
2000	18624	15830
2200	20486	17413
2400	22349	18997
2600	24211	20579
2800	26073	22162
3000	27936	23746
3200	29798	25328
3400	31661	26912
3600	33523	28495
3800	35386	30078
4000	37248	31661

Note that both theoretical and actual torque values are listed, but that Pengo recommends to go by ACTUAL torque listings.



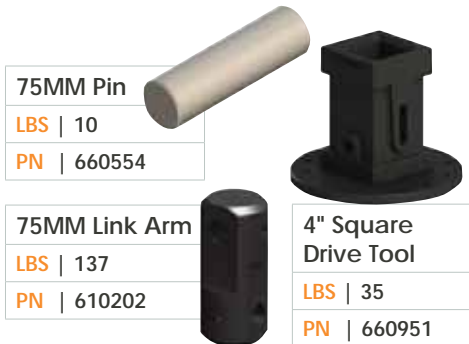
## MOUNTS for DV-30

Pengo offers a complete excavator mounting systems for the DV-30 unit. These mounts can be mounted directly to the boom or designed to work with an existing quick coupler.

Custom mounts can be designed for specific applications.



Excavator Mounts allow for maximum movement to ensure the Drive always hangs true to the ground.



Pengo lists output speeds at both theoretical and actual. Actual torque numbers are NOT listed at 100% efficiency. Maximum efficiencies have been applied to the torque and speed charts according to the manufacturer's recommendations. Speed and torque output are dependent on the overall system efficiencies associated with the prime movers hydraulic system. When the purchaser is determining criteria for specific applications please contact Pengo. Pengo has made every attempt to present accurate and suitable information published in this document. This document should be used for information and comparative purposes only. When application-specific information is required, please contact Pengo.