

DV-20 DRILLING DRIVE



VARIABLE SPEED DRIVE UNIT | PN 610442

use Pengo's Quick Change Excavator Augers



EXCAVATOR SIZE	MAX HOLE DEPTH	20'
12T - 20T	MAX HOLE DIA.	6'
CONNECTIONS	WEIGHT	LBS 880
HEX 3"		

TRULINK TORQUE PIN

DV-20 is outfitted to fit these TruLink® Torque Monitor Systems.



Class 1 with 4" Display
PN | 615000

Class 1 with 8" Display
PN | 615002

Kits include Pin, Displays, Anti-Rotation Block, Mount, Cable, Stylus, and Flash USB Drive



The DV-20 is an excellent companion to the Pengo Excavator Auger line. This powerhouse is capable of drilling holes up to 20' deep and 6' in diameter in both rock and dirt.

HYDRAULIC MOTOR INFORMATION	
Displacement	8.25 cu/in (135cc)
Motor Type	Variable Speed Bi-Directional
Motor Output Shaft	8/16" Spline 13T
Motor Mount	SAE - D 2 Bolt
Motor Ports	Radial (Quick Coupler)
Cross Over Pressure Relief	None
PLANETARY GEARBOX INFORMATION	
Gearbox Type	Planetary Three Stage
Reduction Ratio	60.56:1
Output Shaft	3" Hex
Internal Oil Capacity	3.0 Gallons
Oil Type	SAE 80W90 GL-5
Shaft Pull Out (lbs.)	45,000 lbs.

DV-20 DRILLING DRIVE



Variable Speed Models must have a drain line.

REFERENCE SPEED CHART

Flow GPM (Liter)	Low (rpm)	High (rpm)
40 (151)	16	27
45 (169)	18	30
50 (188)	20	33
55 (206)	22	37
60 (225)	24	40

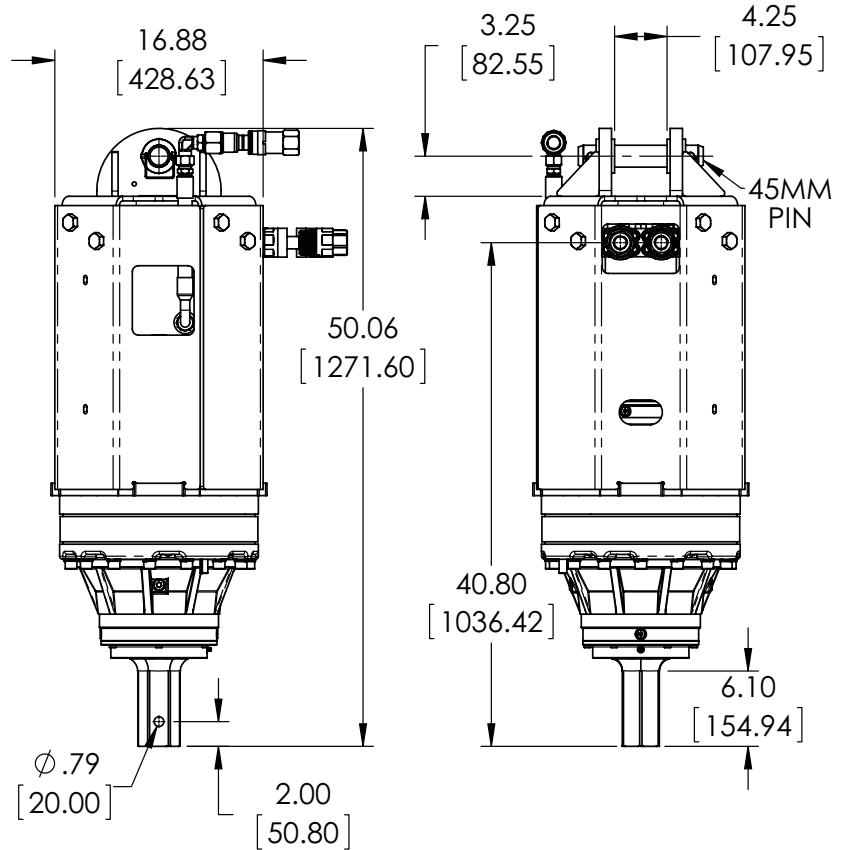
REFERENCE TORQUE CHART (LT / HS)

Pressure (psi)	THEORETICAL Torque (ft/lb)	ACTUAL Torque (ft/lb)
2000	7845	6668
2200	8630	7336
2400	9414	8002
2600	10199	8669
2800	10984	9336
3000	11768	10003
3200	12553	10670
3400	13337	11336
3600	14122	12004
3800	14907	12671
4000	15691	13337

Note that both theoretical and actual torque values are listed, but that Pengo recommends to go by ACTUAL torque listings.

REFERENCE TORQUE CHART (HT / LS)

Pressure (psi)	THEORETICAL Torque (ft/lb)	ACTUAL Torque (ft/lb)
2000	13239	11253
2200	14563	12379
2400	15887	13504
2600	17211	14629
2800	18535	15755
3000	19859	16880
3200	21183	18006
3400	22507	19131
3600	23831	20256
3800	25155	21382
4000	26479	22507



LOW TORQUE/HIGH SPEED OUTPUT

HIGH TORQUE/LOW SPEED OUTPUT

MOUNTS for DV-20

Pengo offers a complete excavator mounting systems for the DV-20 unit. These mounts can be mounted directly to the boom or designed to work with an existing quick coupler.

Custom mounts can be designed for specific applications.



Excavator Mounts allow for maximum movement to ensure the Drive always hangs true to the ground.

45MM Pin

LBS | 7

PN | 660558

45MM Link Arm

LBS | 46

PN | 660555

3" Hex Drive Tool

LBS | 35

PN | 158137

Pengo lists output speeds at both theoretical and actual. Actual torque numbers are NOT listed at 100% efficiency. Maximum efficiencies have been applied to the torque and speed charts according to the manufacturer's recommendations. Speed and torque output are dependent on the overall system efficiencies associated with the prime movers hydraulic system. When the purchaser is determining criteria for specific applications please contact Pengo. Pengo has made every attempt to present accurate and suitable information published in this document. This document should be used for information and comparative purposes only. When application-specific information is required, please contact Pengo.