

DT-5 DRILLING DRIVE



TWO SPEED DRIVE UNIT | PN 610173

use Pengo TriMax® Severe Rock Ripper® and Utility Augers



EXCAVATOR SIZE	MAX HOLE DEPTH	8'
3T - 6T	MAX HOLE DIA.	5'
CONNECTIONS	WEIGHT	LBS 645
HEX 2 1/2"		

TRULINK TORQUE PIN

DT-5 is outfitted to fit these TruLink® Torque Monitor Systems.



Class 1 with 4" Display
PN | 615000

Class 1 with 8" Display
PN | 615002

Kits include Pin, Displays, Anti-Rotation Block, Mount, Cable, Stylus, and Flash USB Drive



The DT-5 will mount to the universal skid steer mounts, both standard and long reach, and will turn the TriMax® auger or Severe Rock Ripper® in those hard rock conditions. The auto shift feature allows the drive to automatically shift between high speed and low torque and low speed high torque depending on the input flow.

HYDRAULIC MOTOR INFORMATION	
Displacement	2.98 cu/in (97.6cc)
Motor Type	Two Speed Bi-Directional
Motor Output Shaft	1 1/4" Spline 14T
Motor Mount	SAE - C 4 Bolt
Motor Ports	1 5/8" - 12 UN-2B
Cross Over Pressure Relief	Set at 3,100 psi
PLANETARY GEARBOX INFORMATION	
Gearbox Type	Planetary Two Stage
Reduction Ratio	25.36:1
Output Shaft	2 1/2" Hex
Internal Oil Capacity	2.0 Gallons
Oil Type	SAE 80W90 GL-5
Shaft Pull Out (lbs.)	22,500 lbs.

DT-5 DRILLING DRIVE



2-Speed Models must have a minimum of 20GPM

REFERENCE SPEED CHART

Flow GPM (Liter)	Low (rpm)	High (rpm)
20 (75)	25	50
25 (95)	31	63
30 (113)	38	75
35 (132)	44	88
40 (151)	50	100

REFERENCE TORQUE CHART (LT / HS)

Pressure (psi)	THEORETICAL Torque (ft/lb)	ACTUAL Torque (ft/lb)
1000	1002	822
1200	1202	986
1400	1402	1150
1600	1603	1314
1800	1803	1478
2000	2004	1643
2200	2204	1807
2400	2404	1971
2600	2605	2136
2800	2805	2300
3000	3006	2465

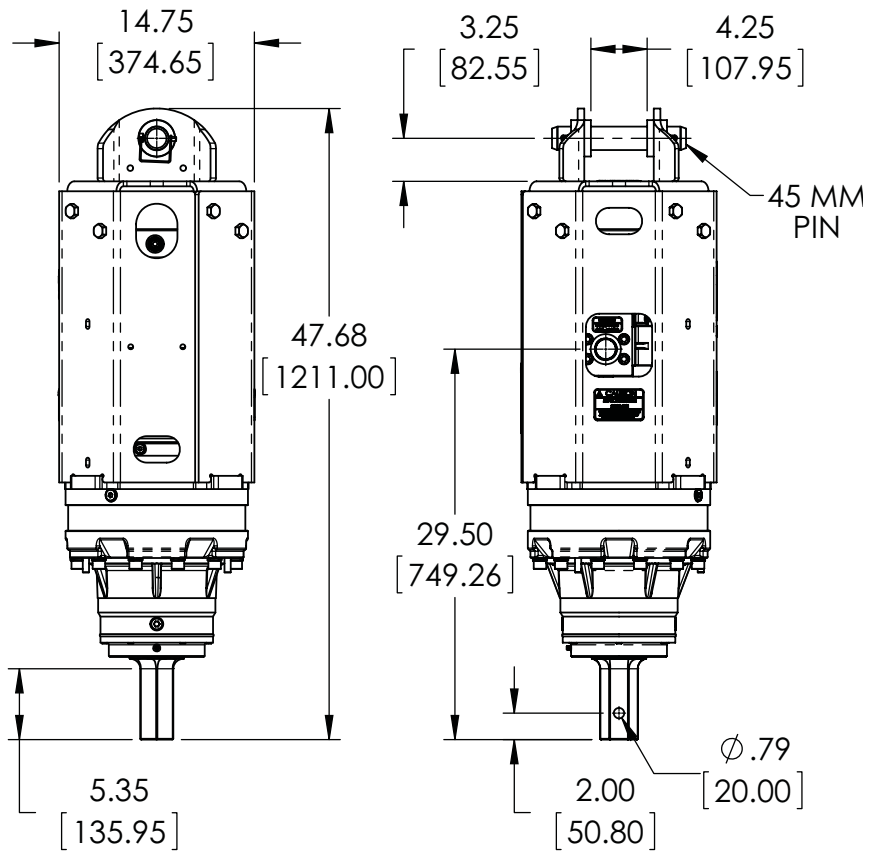
LOW TORQUE/HIGH SPEED OUTPUT

REFERENCE TORQUE CHART (HT / LS)

Pressure (psi)	THEORETICAL Torque (ft/lb)	ACTUAL Torque (ft/lb)
1000	2004	1643
1200	2404	1971
1400	2805	2300
1600	3206	2629
1800	3607	2958
2000	4008	3287
2200	4409	3615
2400	4809	3943
2600	5210	4272
2800	5611	4601
3000	6012	4930

HIGH TORQUE/LOW SPEED OUTPUT

Note that both theoretical and actual torque values are listed, but that Pengo recommends to go by ACTUAL torque listings.



MOUNTS for DT-5

A Pengo Exclusive! The Long Reach Mount for Skid Steer provides maximum ground clearance of 7' to 11' and increased height capability.



Universal Long Reach

LBS | 361
PN | 661318

Universal Mount

LBS | 201
PN | 661111

Pengo offers a complete excavator mounting systems for the DT-5 unit. These mounts can be mounted directly to the boom or designed to work with an existing quick coupler.



Quick Coupler

End of Boom (Stick)

Excavator Mounts allow for maximum movement to ensure the Drive always hangs true to the ground.

Custom mounts can be designed for specific applications.

	45MM Pin
	LBS 7
	PN 660558
	45MM Link Arm
	LBS 46
	PN 660555
	2 1/2" Hex Drive Tool
	LBS 28
	PN 158132

Pengo lists output speeds at both theoretical and actual. Actual torque numbers are NOT listed at 100% efficiency. Maximum efficiencies have been applied to the torque and speed charts according to the manufacturer's recommendations. Speed and torque output are dependent on the overall system efficiencies associated with the prime movers hydraulic system. When the purchaser is determining criteria for specific applications please contact Pengo. Pengo has made every attempt to present accurate and suitable information published in this document. This document should be used for information and comparative purposes only. When application-specific information is required, please contact Pengo.