

DT-15 DRILLING DRIVE



TWO SPEED DRIVE UNIT | PN 610174

use Pengo Utility and Excavator Augers



EXCAVATOR SIZE	MAX HOLE DEPTH	12'
12T - 20T	MAX HOLE DIA.	5'
CONNECTIONS	WEIGHT	LBS 825
HEX 3"		

TRULINK TORQUE PIN

DT-15 is outfitted to fit these TruLink® Torque Monitor Systems.



Class 1 with 4" Display
PN | 615000

Class 1 with 8" Display
PN | 615002

Kits include Pin, Displays, Anti-Rotation Block, Mount, Cable, Stylus, and Flash USB Drive



The DT-15 Drilling drive will turn those utility and small foundation augers in most soil types. The auto shift feature allows the drive to automatically shift between high speed and low torque and low speed high torque depending on the input flow.

HYDRAULIC MOTOR INFORMATION	
Displacement	17.8 cu/in (293cc)
Motor Type	Two Speed Bi-Directional
Motor Output Shaft	1 1/4" Spline 14T
Motor Mount	SAE - C 4 Bolt
Motor Ports	1 5/8" - 12 UN-2B
Cross Over Pressure Relief	Set at 3,100 psi
PLANETARY GEARBOX INFORMATION	
Gearbox Type	Planetary Two Stage
Reduction Ratio	26.52:1
Output Shaft	3" Hex
Internal Oil Capacity	3.0 Gallons
Oil Type	SAE 80W90 GL-5
Shaft Pull Out (lbs.)	22,500 lbs.

DT-15 DRILLING DRIVE



2-Speed Models must have a minimum of 20GPM

REFERENCE SPEED CHART

Flow GPM (Liter)	Low (rpm)	High (rpm)
20 (75)	8	16
30 (113)	12	24
40 (151)	16	32
50 (190)	20	40

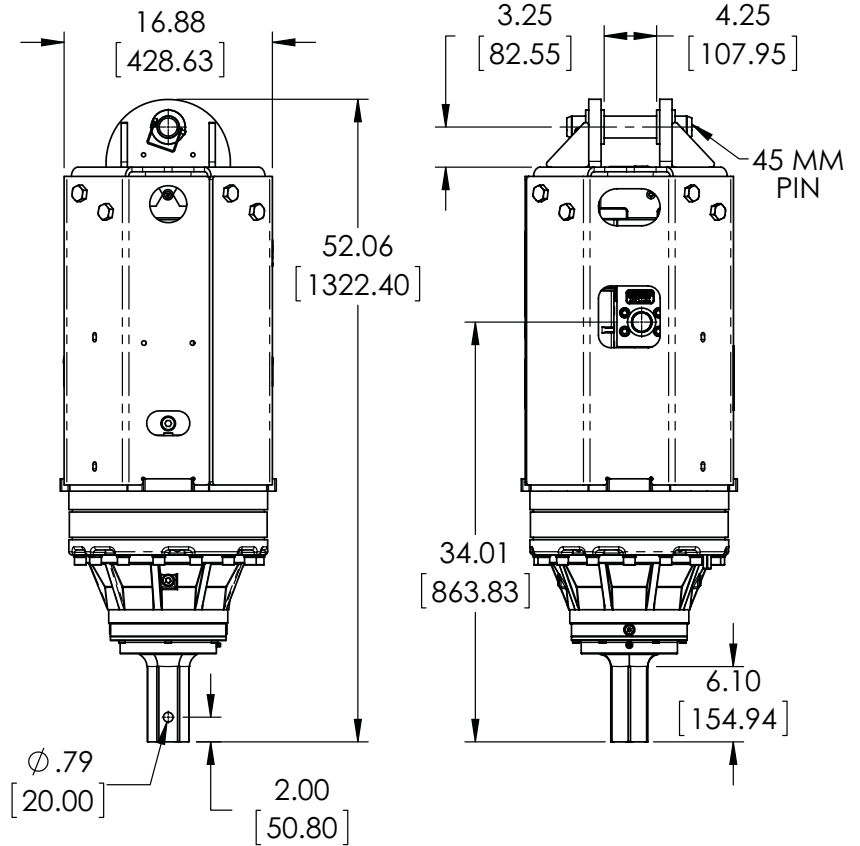
REFERENCE TORQUE CHART (LT / HS)

Pressure (psi)	THEORETICAL Torque (ft/lb)	ACTUAL Torque (ft/lb)
1000	3145	2579
1200	3775	3096
1400	4404	3611
1600	5033	4127
1800	5662	4643
2000	6291	5159
2200	6920	5674
2400	7550	6191
2600	8179	6707
2800	8808	7223
3000	9437	7738

Note that both theoretical and actual torque values are listed, but that Pengo recommends to go by ACTUAL torque listings.

REFERENCE TORQUE CHART (HT / LS)

Pressure (psi)	THEORETICAL Torque (ft/lb)	ACTUAL Torque (ft/lb)
1000	6291	5159
1200	7550	6191
1400	8808	7223
1600	10066	8254
1800	11325	9287
2000	12583	10318
2200	13841	11350
2400	15100	12382
2600	16358	13414
2800	17616	1445
3000	18875	15478



LOW TORQUE/HIGH SPEED OUTPUT

HIGH TORQUE/LOW SPEED OUTPUT

MOUNTS for DT-15

Pengo offers a complete excavator mounting systems for the DT-15 unit. These mounts can be mounted directly to the boom or designed to work with an existing quick coupler.

Custom mounts can be designed for specific applications.



Excavator Mounts allow for maximum movement to ensure the Drive always hangs true to the ground.

45MM Pin

LBS | 7

PN | 660558

45MM Link Arm

LBS | 46

PN | 660555

3" Hex Drive Tool

LBS | 35

PN | 158137

Pengo lists output speeds at both theoretical and actual. Actual torque numbers are NOT listed at 100% efficiency. Maximum efficiencies have been applied to the torque and speed charts according to the manufacturer's recommendations. Speed and torque output are dependent on the overall system efficiencies associated with the prime movers hydraulic system. When the purchaser is determining criteria for specific applications please contact Pengo. Pengo has made every attempt to present accurate and suitable information published in this document. This document should be used for information and comparative purposes only. When application-specific information is required, please contact Pengo.