

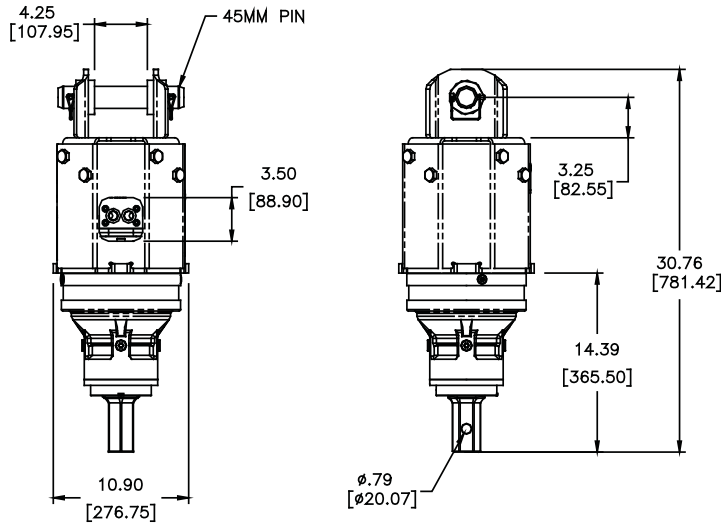


Powerful in dirt, clay and light rock drilling conditions, outfit your skid steer or mini excavator with this single speed drilling drive. With a little more power than the DS-2, this drive is also a perfect companion to the Long Reach Mount with an Aggressor®, TriMax® or Severe Rock Ripper® auger. *Note that both theoretical and actual torque values are listed, but that PENGU recommends to go by ACTUAL torque listings.*

EXCAVATOR
SIZE: 2T-4T
MAX HOLE
SIZE: 4' (48")
MAX HOLE
DEPTH: 8' (96")

2" HEX CONNECTION

Part No. 610172 2T-4T Excavator 115 lbs. (52 Kg)



pengoattachments.com | 800.599.0211

HYDRAULIC MOTOR INFORMATION

Displacement	8.0 cu/in (131cc)
Motor Type	Single Speed Bi-Directional
Motor Output Shaft	1" 6-B Spline
Motor Mount	SAE - A 2 Bolt
Motor Ports	7/8" - 14 O-Ring
Cross Over Pressure Relief	Not Equipped

REFERENCE SPEED CHART

Flow GPM (Liter)	Speed (rpm)
10 (38)	16
15 (56)	24
20 (75)	32
25 (94)	40

PLANETARY GEARBOX INFORMATION

Gearbox Type	Planetary Two Stage
Reduction Ratio	14.79:1
Output Shaft	2" Hex
Internal Oil Capacity	.50 Gallons
Oil Type	SAE 80W90 GL-5
Shaft Pull Out (lbs.)	7,000 lbs.

REFERENCE TORQUE CHART

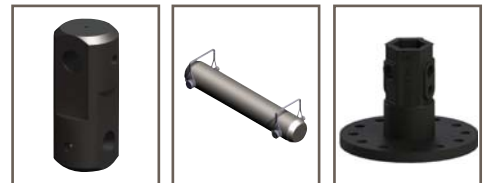
Pressure (psi)	THEORETICAL Torque (ft/lb)	ACTUAL Torque (ft/lb)
1200	1882	1543
1400	2196	1801
1600	2510	2058
1800	2823	2315
2000	3137	2572

REFERENCE TORQUE CHART

Pressure (psi)	THEORETICAL Torque (ft/lb)	ACTUAL Torque (ft/lb)
2200	3451	2830
2400	3765	3087
2600	4078	3344
2800	4392	3601
3000	4706	3859

Note: Revolution Drive units are not recommended for DTH and will not be covered under warranty for damage due to down the hole drilling.

ACCESSORIES:



45mm Link Arm
660555
47 lbs.

45mm Pin Assembly
660558
7 lbs.

2" Hex Drive Tool
158136
20.21 lbs.

Pin
for 2" Hex Output shaft
135015



TruLink Class 1
with 4" Monitor Part No. 615000
with 8" Monitor Part No. 615002



CARRIER GUIDE:



DRILLING DRIVES