



DS-2



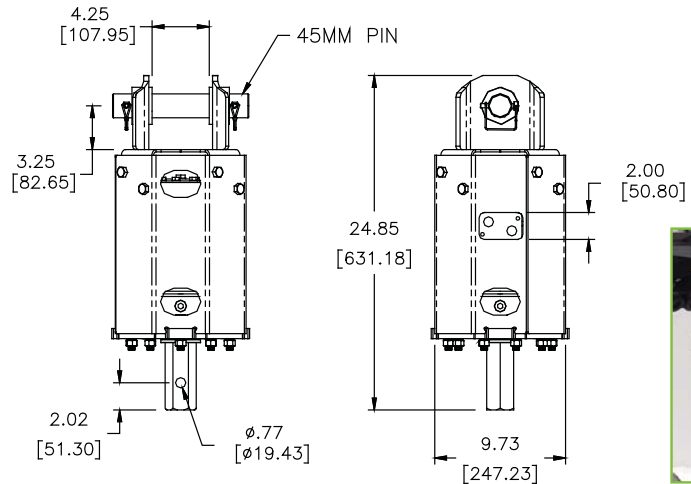
pengoattachments.com | 800.599.0211



Powerful in dirt, clay and light rock drilling conditions, outfit your skid steer or mini excavator with this single speed drilling drive. The smallest of the Revolution Series, this drive is a perfect companion to the Long Reach Mount with an Aggressor®, TriMax® or Severe Rock Ripper® auger. *Note that both theoretical and actual torque values are listed, but that PENGO recommends to go by ACTUAL torque listings.*

EXCAVATOR
SIZE: 2T-3T
MAX HOLE
SIZE: 4' (48")
MAX HOLE
DEPTH: 5' (60")

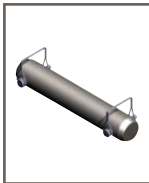
2" HEX CONNECTION		
Part No. 610650	2T-3T Excavator	115 lbs. (52 Kg)
2 9/16" ROUND CONNECTION		
Part No. 610652	2T-3T Excavator	115 lbs. (52 Kg)



ACCESSORIES:



45mm Link Arm
660555
47 lbs.



45mm Pin Assembly
660558
7 lbs.



2" Hex Drive Tool
158136
20.21 lbs.

Pin
for 2" Hex Output shaft
135015



TruLink Class 1
with 4" Monitor Part No. 615000
with 8" Monitor Part No. 615002



HYDRAULIC MOTOR INFORMATION

Displacement	11.98 cu/in (195cc)
Motor Type	Single Speed Bi-Directional
Motor Output Shaft	7/8" Spline 14T
Motor Mount	SAE - A 2 Bolt
Motor Ports	1/2" BSP
Cross Over Pressure Relief	Not Equipped

REFERENCE SPEED CHART

Flow GPM (Liter)	Speed (rpm)
10 (38)	29
15 (56)	43
20 (75)	57
25 (94)	71

PLANETARY GEARBOX INFORMATION

Gearbox Type	Planetary Single Stage
Reduction Ratio	5.77:1
Output Shaft	2" Hex or 2-9/16" Round
Internal Oil Capacity	.13 Gallons
Oil Type	SAE 80W90 GL-5
Shaft Pull Out (lbs.)	3,000 lbs.

REFERENCE TORQUE CHART

Pressure (psi)	THEORETICAL Torque (ft/lb)	ACTUAL Torque (ft/lb)
1200	1093	929
1400	1275	1084
1600	1457	1238
1800	1639	1393
2000	1822	1549

REFERENCE TORQUE CHART

Pressure (psi)	THEORETICAL Torque (ft/lb)	ACTUAL Torque (ft/lb)
2200	2004	1703
2400	2186	1858
2600	2368	2013
2800	2550	2168
3000	2733	2323

Note: Revolution Drive units are not recommended for DTH and will not be covered under warranty for damage due to down the hole drilling.

CARRIER GUIDE:



Pengo lists output speeds at both theoretical and actual. Actual torque numbers are NOT listed at 100% efficiency. Maximum efficiencies have been applied to the torque and speed charts according to the manufacturer's recommendations. Speed and torque output are dependent on the overall system efficiencies associated with the prime movers hydraulic system. When the purchaser is determining criteria for specific applications please contact Pengo. Pengo has made every attempt to present accurate and suitable information published in this document. This document should be used for information and comparative purposes only. When application-specific information is required, please contact Pengo.

Images not to scale.