

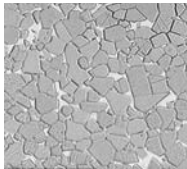


Images not to scale.



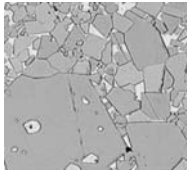
The STRATA Proprietary Drilling Grade Carbide Teeth are Made Especially for the Drilling Industry!

The improved grade of carbide in all Strata teeth, increase the life cycle of the tooth, so with less down time your productivity is increased!

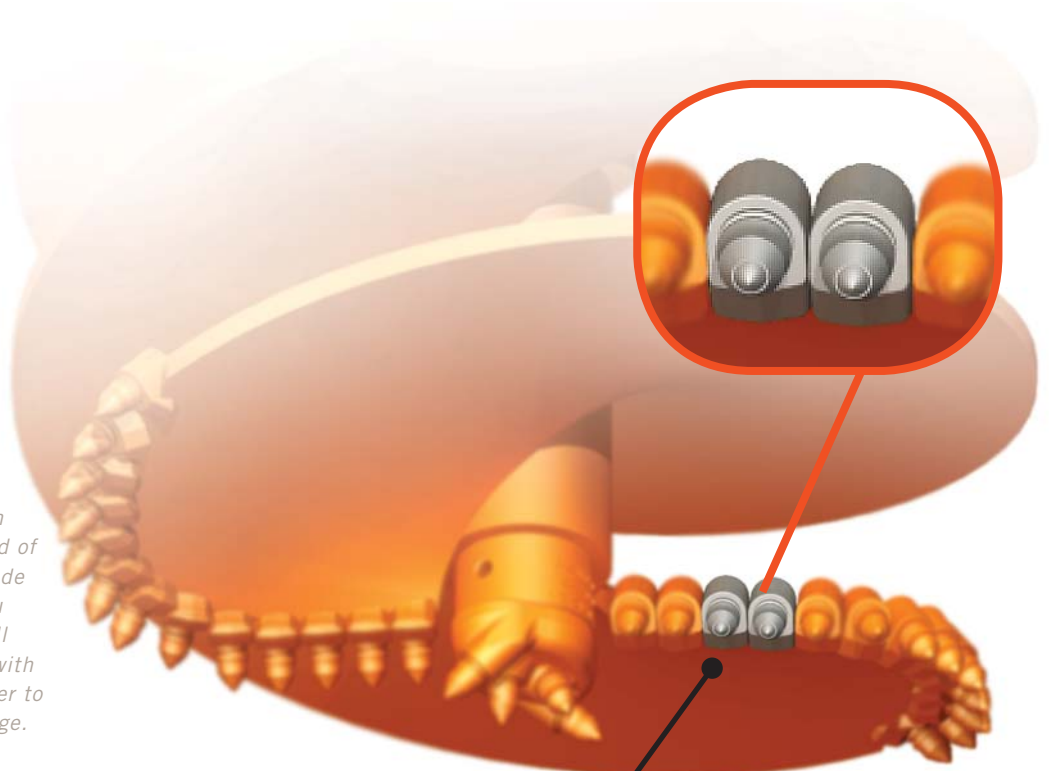


Strata Series Carbide Grain Structure

The Strata Conical teeth are composed of a drilling grade carbide. You should install these teeth with a soft hammer to avoid breakage.



Conventional Carbide Grain Structure



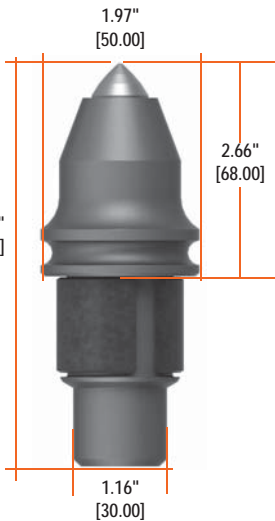
The heavy-duty P4 Holder design eliminates the need to fill large gaps when welding holders in a row. No more excessive welding saves time and keeps heat treat properties intact.

CONICAL TEETH INSTALLATION and REMOVAL TOOLS



SH-85 Soft Hammer 137737 3.5 lbs. Installation Tool for Conical Teeth

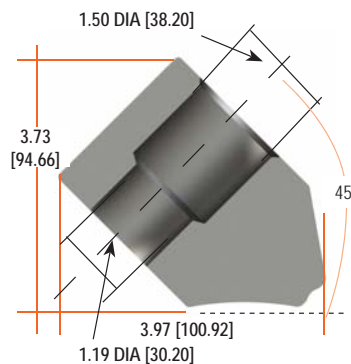
BZ12 Puller 800149 for use with Step Shank Teeth 3 lbs.



SR-122 Tooth 850034 (each no.) 850209 (bucket no.) bucket qty. 12 / 31.2 lbs. 850215 (pallet no.) pallet qty. 576 / 1,498 lbs.



P4 Holder 990003 (each no.) 3.65 lbs. bucket qty. 8



PENGO FOUNDATION TOOLING

Tooth part numbers are listed per piece, per bucket, and per pallet. Holder part numbers are listed per piece. There are no bucket or pallet part numbers for holders.

