

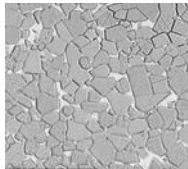


Images not to scale.



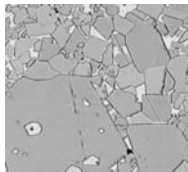
The STRATA Proprietary Drilling Grade Carbide Teeth are Made Especially for the Drilling Industry!

The improved grade of carbide in all Strata teeth, increase the life cycle of the tooth, so with less down time your productivity is increased!

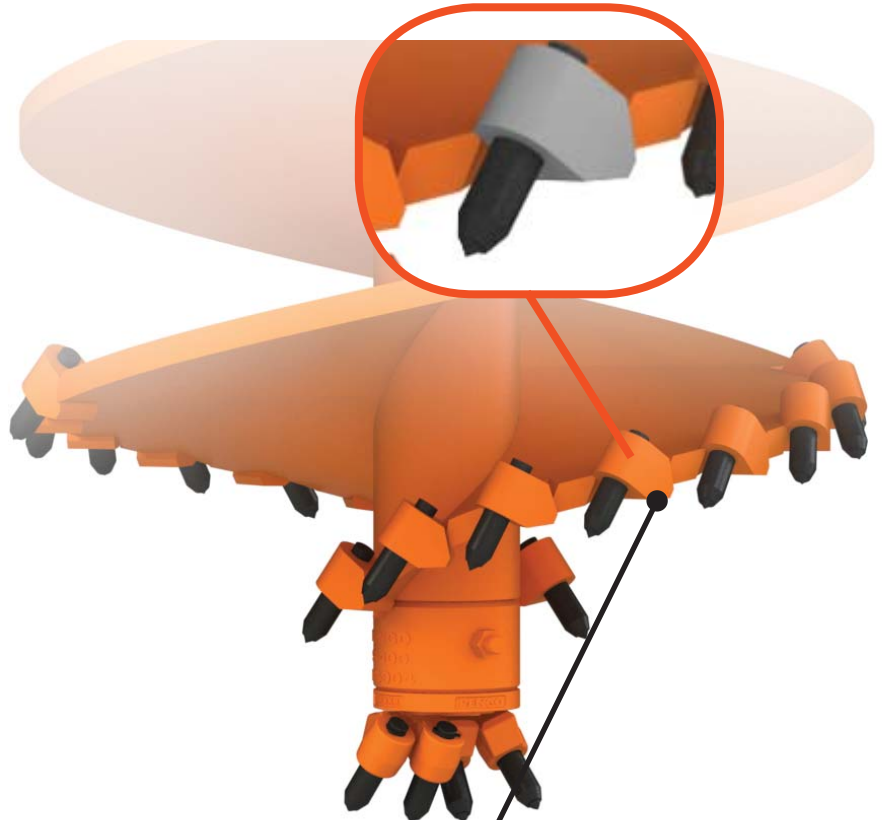


Strata Series Carbide Grain Structure

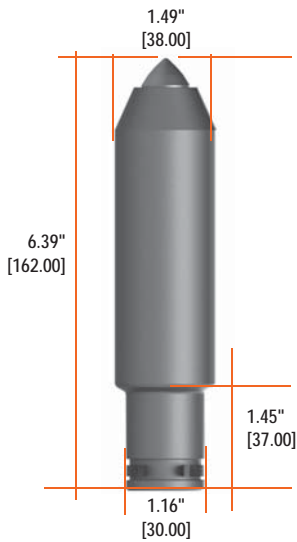
The Strata Conical teeth are composed of a drilling grade carbide. You should install these teeth with a soft hammer to avoid breakage.



Conventional Carbide Grain Structure



The heavy-duty P4 Holder design eliminates the need to fill large gaps when welding holders in a row. No more excessive welding saves time and keeps heat treat properties intact.



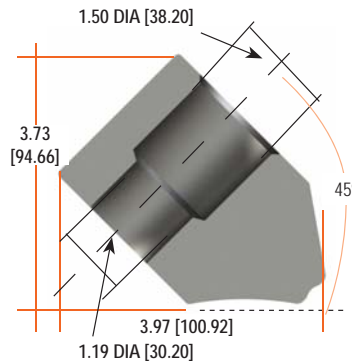
SR-104 Tooth

850024 (each)
850207 (bucket)
bucket qty. 15 / 38.7 lbs.
850213 (pallet)
pallet qty. 720 / 1858 lbs.



P4 Holder

990003 (each no.)
3.65 lbs.
bucket qty. 8



CONICAL TEETH INSTALLATION and REMOVAL TOOLS



SH-85 Soft Hammer

137737
3.5 lbs.
Installation Tool for Conical Teeth

BZ12 Puller

800149
for use with Step Shank Teeth
3 lbs.

Tooth part numbers are listed per piece, per bucket, and per pallet. Holder part numbers are listed per piece. There are no bucket or pallet part numbers for holders.

PENGO FOUNDATION TOOLING

