



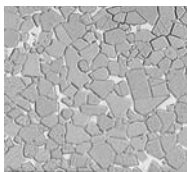
Images not to scale.

STRATA

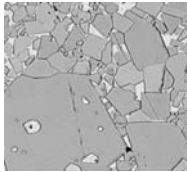
DRILLING GRADE CARBIDE

The STRATA Proprietary Drilling Grade Carbide Teeth are Made Especially for the Drilling Industry!

The improved grade of carbide in all Strata teeth, increase the life cycle of the tooth, so with less down time your productivity is increased!

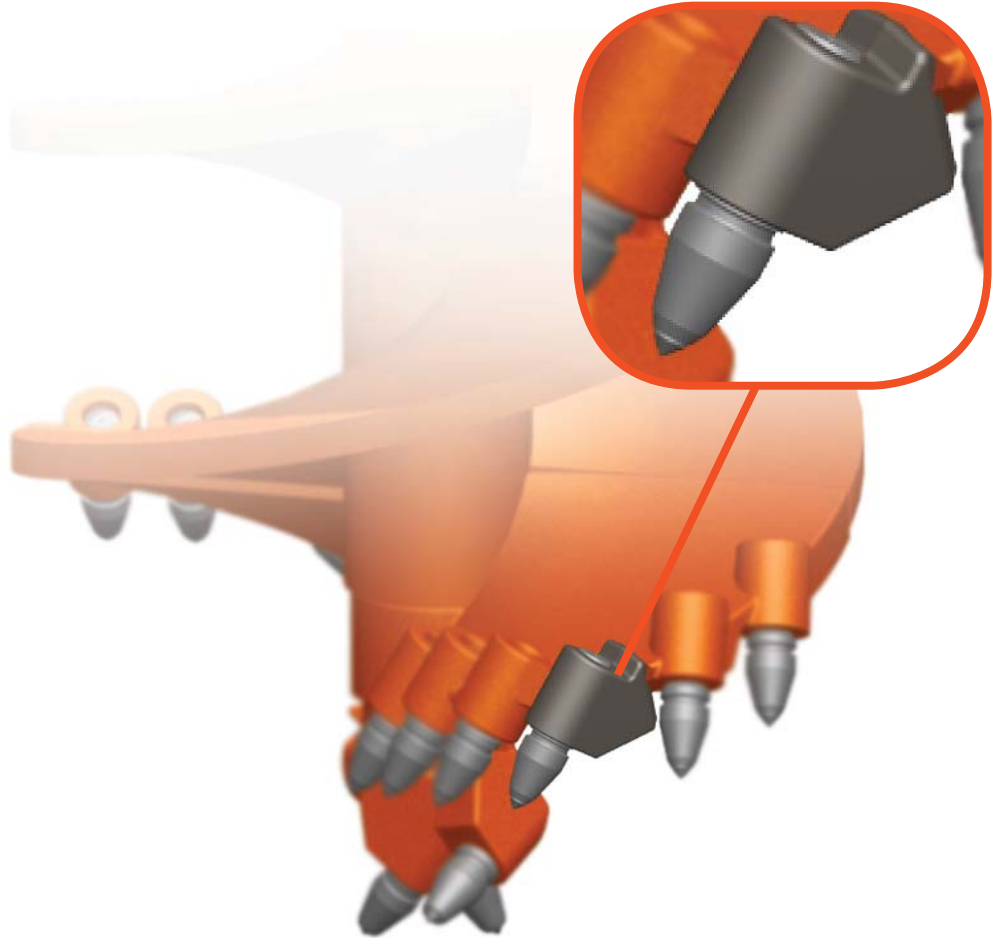


Strata Series Carbide Grain Structure

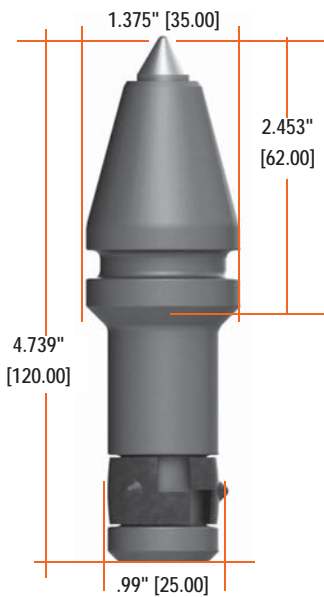


Conventional Carbide Grain Structure

The Strata Conical teeth are composed of a drilling grade carbide. You should install these teeth with a soft hammer to avoid breakage.



PENGO FOUNDATION TOOLING



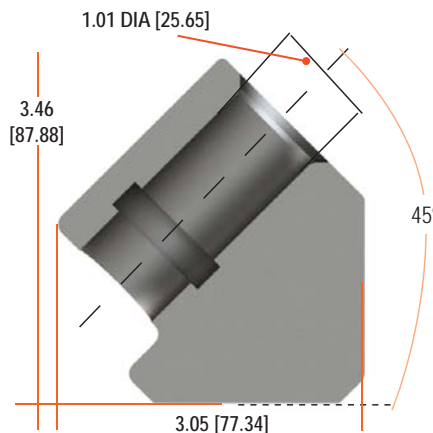
SR-100 Tooth

850023 (each)
850201 (bucket)
bucket qty. 35 / 39 lbs.
850212 (bucket)
bucket qty. 1,575 / 1,654 lbs.



P-30 Holder

990001
2.6 lbs.
bucket qty. 12



CONICAL TEETH INSTALLATION and REMOVAL TOOLS



SH-85 Soft Hammer

137737
3.5 lbs.
Installation Tool for Conical Teeth

C30 Puller

134090
for use with 1\"/>

Tooth part numbers are listed per piece, per bucket. and per pallet. Holder part numbers are listed per piece. There are no bucket or pallet part numbers for holders.

