



DV-40

PENGO

pengoattachments.com | 800.599.0211



ACCESSORIES:



75mm Link Arm
610202
137 lbs.



75mm Pin
660554
10 lbs.



130MM Square Drive Tool
610301
50 lbs.



TruLink Class 2
with 4" Monitor Part No. 615001
with 8" Monitor Part No. 615003



CARRIER GUIDE:

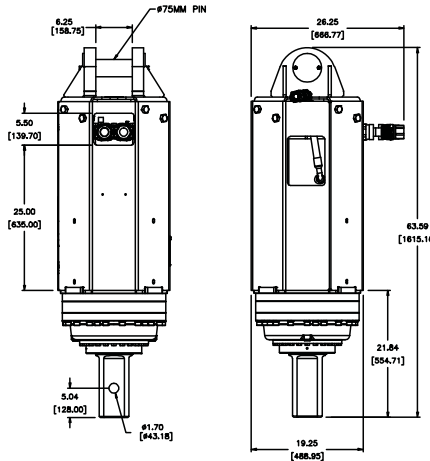


The DV-40 is the largest drilling drive in the Revolution Series. This drive with turn Pengo Excavator augers 25' deep and as wide as 7' in diameter. Like the DV-30 it is able to drill in most rock, dirt and frozen ground drilling conditions. *Note that both theoretical and actual torque values are listed, but that PENGO recommends to go by ACTUAL torque listings.*

EXCAVATOR
SIZE: 15T-25T
MAX HOLE
SIZE: 7' (84")
MAX HOLE
DEPTH: 25' (300")

130MM SQUARE CONNECTION

Part No. 610385 15T-25T Excavator 1500 lbs. (680 Kg)



Drive will start in high speed and will build torque as drilling resistance increases.

Variable-Speed Models Must Have a Drain Line.

HYDRAULIC MOTOR INFORMATION

Displacement	10.06 cu/in (165cc)
Motor Type	Variable Speed Bi-Directional
Motor Output Shaft	8/16 Spline 13T
Motor Mount	SAE - D 2 Bolt
Motor Ports	Radial (Quick Coupler)
Cross Over Pressure Relief	None

REFERENCE SPEED CHART

Flow GPM (Liter)	Low (rpm)	High (rpm)
40 (151)	9	23
45 (169)	10	25
50 (188)	12	28
55 (206)	13	31
60 (225)	14	34

PLANETARY GEARBOX INFORMATION

Gearbox Type	Planetary Three Stage
Reduction Ratio	83.78:1
Output Shaft	130mm Hex
Internal Oil Capacity	4.0 Gallons
Oil Type	SAE 80W90 GL-5
Shaft Pull Out (lbs.)	60,000 lbs.

Note: Revolution Drive units are not recommended for DTH and will not be covered under warranty for damage due to down the hole drilling.

BELOW CHART FOR LOW TORQUE/HIGH SPEED OUTPUT

REFERENCE TORQUE CHART (LT / HS)

Pressure (psi)	THEORETICAL Torque (ft/lb)	ACTUAL Torque (ft/lb)
2000	9225	7841
2200	10148	8626
2400	11071	9410
2600	11993	10194
2800	12916	10979
3000	13838	11762
3200	14761	12547
3400	15684	13331
3600	16606	14115
3800	17529	14900
4000	18451	15683

BELOW CHART FOR HIGH TORQUE/LOW SPEED OUTPUT

REFERENCE TORQUE CHART (HT / LS)

Pressure (psi)	THEORETICAL Torque (ft/lb)	ACTUAL Torque (ft/lb)
2000	22386	19028
2200	24625	20931
2400	26863	22834
2600	29102	24737
2800	31341	26640
3000	33579	28542
3200	35818	30445
3400	38057	32348
3600	40295	34251
3800	42534	36154
4000	44772	38056

Pengo lists output speeds at both theoretical and actual. Actual torque numbers are NOT listed at 100% efficiency. Maximum efficiencies have been applied to the torque and speed charts according to the manufacturer's recommendations. Speed and torque output are dependent on the overall system efficiencies associated with the prime movers hydraulic system. When the purchaser is determining criteria for specific applications please contact Pengo. Pengo has made every attempt to present accurate and suitable information published in this document. This document should be used for information and comparative purposes only. When application-specific information is required, please contact Pengo.

Images not to scale.

DRILLING DRIVES

EXCAVATOR AUGER SYSTEM



pengoattachments.com | 800.599.0211

FLIGHT BODY



5' ROCK LEAD SECTION



130mm Square Hub Connection



5' DIRT LEAD SECTION

FLIGHT | 5', 10' OR 20', S-130mm

ITEM	DIA.	5' P/N	10' P/N	20' P/N
FEX-16	16	165769	165743	165751
FEX-18	18	165770	165744	165752
FEX-20	20	165771	165745	165753
FEX-24	24	165772	165746	165754
FEX-30	30	165773	165747	165755
FEX-36	36	165774	165748	165756
FEX-42	42	165775	165749	165757
FEX-48	48	165776	165750	165758

ROCK LEAD -130MM	DIA.	PART NO.	DIRT LEAD -130MM	DIA.	PART NO.
EXC ROCK LEAD	16	165727	EXC DIRT LEAD	16	165735
EXC ROCK LEAD	18	165728	EXC DIRT LEAD	18	165736
EXC ROCK LEAD	20	165729	EXC DIRT LEAD	20	165737
EXC ROCK LEAD	24	165730	EXC DIRT LEAD	24	165738
EXC ROCK LEAD	30	165731	EXC DIRT LEAD	30	165739
EXC ROCK LEAD	36	165732	EXC DIRT LEAD	36	165740
EXC ROCK LEAD	42	165733	EXC DIRT LEAD	42	165741
EXC ROCK LEAD	48	165734	EXC DIRT LEAD	48	165742

REORDER PARTS:



TF-1000
137348
43 lbs.



2.5 Adapter
151598
17.84 lbs.
use with TF-1000



2070 Dirt Fas-N-Lok Tooth
140002
2 lbs.
bucket qty. 20



2072 Dirt Fas-N-Lok Tooth
140000
2.3 lbs.
bucket qty. 20



WA-70 Pocket
158120
2 lbs.



C31-HD 2.5" Stem
135913
2.5 Pin/Washer
30 lbs.



2.5 Adapter
151598
6" OD
17.84 lbs.
use with C31HD



SR-100 Tooth
850201
38.5 lbs.
bucket qty. 35



S-31HD Tooth
850210
38.5 lbs.
bucket qty. 35



S-31 Tooth
850208
37 lbs.
bucket qty. 35



P-30 Holder
850224
31.2 lbs.
bucket qty. 12

STRATA
DRILLING GRADE CARBIDE



Flight Section Overall Lengths: 5', 10' & 20'
Lead Section Overall Length: 5'
Standard Flight Thickness: 1/2"
OD: 3 1/2" OD x .300" Wall
Diameters Available: 16" to 48"

This addition to the excavator line of augers to be compatible was built to be compatible with the larger Revolution Series drilling drives. This auger system allows you to "build your own" auger by selecting the flight length and either a rock or dirt lead.

The rock lead is built with Strata® drilling grade carbide teeth which provide superior wear in tough drilling conditions.

The dirt lead is built with the patented TriFlow pilot bit and Pengo's own Fas-N-Lok dirt teeth.

When looking for the complete excavator auger and drive package, select Pengo.

Note: For use with the Revolution DV-40.

CARRIER GUIDE:



EXCAVATOR AUGERS

The above conical tooth part numbers are for buckets not each. When ordering buckets you may use these numbers.

Images not to scale.

STANDARD AUGERS LISTED ABOVE - Special Center Shafts and Custom Orders Available.
Custom orders cannot be canceled and are non-returnable.