



DV-20

PENGO

pengoattachments.com | 800.599.0211

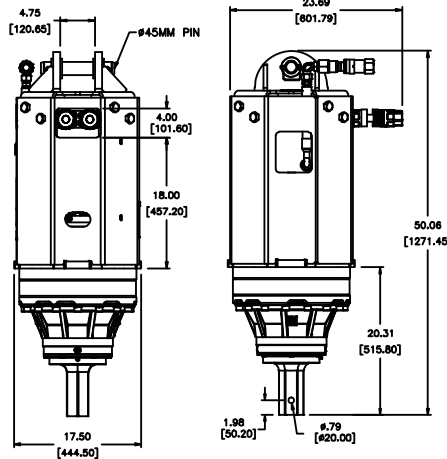


The DV-20 is an excellent companion to the Pengo Excavator Auger line. This powerhouse is capable of drilling holes up to 20' deep and 6' in diameter in both rock and dirt. *Note that both theoretical and actual torque values are listed, but that PENGO recommends to go by ACTUAL torque listings.*

EXCAVATOR
SIZE: 15T-25T
MAX HOLE
SIZE: 6' (72")
MAX HOLE
DEPTH: 20' (240")

3" HEX CONNECTION

Part No. 610442 12T-20T Excavator 880 lbs. (400 Kg)



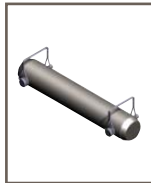
Drive will start in high speed and will build torque as drilling resistance increases.

Variable-Speed Models Must Have a Drain Line.

ACCESSORIES:



45mm Link Arm
660555
47 lbs.



45mm Pin Assembly
660558
7 lbs.



3" Hex Drive Tool
158137
35 lbs.



TruLink Class 1
with 4" Monitor Part No. 615000
with 8" Monitor Part No. 615002



HYDRAULIC MOTOR INFORMATION

Displacement	8.25 cu/in (135cc)
Motor Type	Variable Speed Bi-Directional
Motor Output Shaft	8/16 Spline 13T
Motor Mount	SAE - D 2 Bolt
Motor Ports	Radial (Quick Coupler)
Cross Over Pressure Relief	None

REFERENCE SPEED CHART

Flow GPM (Liter)	Low (rpm)	High (rpm)
40 (151)	16	27
45 (169)	18	30
50 (188)	20	33
55 (206)	22	37
60 (225)	24	40

PLANETARY GEARBOX INFORMATION

Gearbox Type	Planetary Three Stage
Reduction Ratio	60.56:1
Output Shaft	3" Hex
Internal Oil Capacity	3.0 Gallons
Oil Type	SAE 80W90 GL-5
Shaft Pull Out (lbs.)	45,000 lbs.

Note: Revolution Drive units are not recommended for DTH and will not be covered under warranty for damage due to down the hole drilling.

BELOW CHART FOR LOW TORQUE/HIGH SPEED OUTPUT

REFERENCE TORQUE CHART (LT / HS)

Pressure (psi)	THEORETICAL Torque (ft/lb)	ACTUAL Torque (ft/lb)
1000	7845	6668
1200	8630	7336
1400	9414	8002
1600	10199	8669
1800	10984	9336
2000	11768	10003
2200	12553	10670
2400	13337	11336
2600	14122	12004
2800	14907	12671
3000	15691	13337

BELOW CHART FOR HIGH TORQUE/LOW SPEED OUTPUT

REFERENCE TORQUE CHART (HT / LS)

Pressure (psi)	THEORETICAL Torque (ft/lb)	ACTUAL Torque (ft/lb)
1000	13239	11253
1200	14563	12379
1400	15887	13504
1600	17211	14629
1800	18535	15755
2000	19859	16880
2200	21183	18006
2400	22507	19131
2600	23831	20256
2800	25155	21382
3000	26479	22507

DRILLING DRIVES

CARRIER GUIDE:



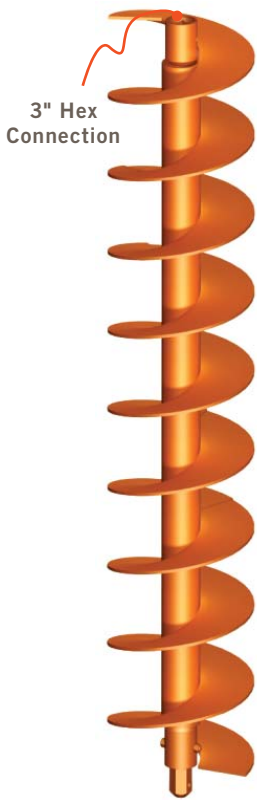
Pengo lists output speeds at both theoretical and actual. Actual torque numbers are NOT listed at 100% efficiency. Maximum efficiencies have been applied to the torque and speed charts according to the manufacturer's recommendations. Speed and torque output are dependent on the overall system efficiencies associated with the prime movers hydraulic system. When the purchaser is determining criteria for specific applications please contact Pengo. Pengo has made every attempt to present accurate and suitable information published in this document. This document should be used for information and comparative purposes only. When application-specific information is required, please contact Pengo.

Images not to scale.

EXCAVATOR QUICK CHANGE SYSTEM



pengoattachments.com | 800.599.0211

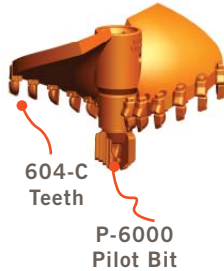


FLIGHTS | 5', 10' OR 20'

ITEM	DIA.	5' P/N	10' P/N	20' P/N
FEX-16	16	165442	165450	165451
FEX-18	18	165443	165452	165453
FEX-20	20	165444	165454	165455
FEX-24	24	165445	165456	165457
FEX-30	30	165446	165458	165459
FEX-36	36	165447	165460	165461
FEX-42	42	165448	165462	165463
FEX-48	48	165449	165464	165465

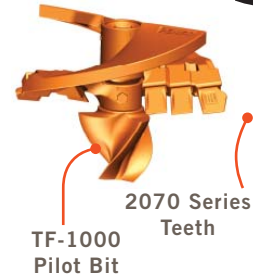
OPTION 2 Spiral Rock Heads

ITEM	PART NO.
POEXSRH-16	165490
POEXSRH-18	165492
POEXSRH-20	165494
POEXSRH-24	165496
POEXSRH-30	165498
POEXSRH-36	165500
POEXSRH-42	165502
POEXSRH-48	165504



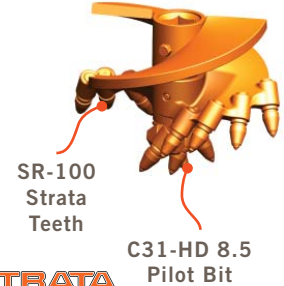
OPTION 1 Carbide & Dirt Heads

ITEM	DIRT P/N	CARBIDE P/N
POEXDH-16	165470	165471
POEXDH-18	165472	165473
POEXDH-20	165474	165475
POEXDH-24	165476	165477
POEXDH-30	165478	165479
POEXDH-36	165480	165481
POEXDH-42	165482	165483
POEXDH-48	165484	165485



OPTION 3 Rock Heads

ITEM	PART NO.
POEXRRH-16	165510
POEXRRH-18	165512
POEXRRH-20	165514
POEXRRH-24	165516
POEXRRH-30	165518
POEXRRH-36	165520
POEXRRH-42	165522
POEXRRH-48	165524



REORDER PARTS:

TF-1000 137348 43 lbs.	2.5 Adapter 151598 17.84 lbs. use with TF-1000	2070 Dirt Fas-N-Lok Tooth 140002 2 lbs. bucket qty. 20	2072 Dirt Fas-N-Lok Tooth 140000 2.3 lbs. bucket qty. 20	WA-70 Pocket 158120 2 lbs.
C31-HD 2.5" Stem 135913 2.5 Pin/Washer 30 lbs.	2.5 Adapter 151598 6" OD 17.84 lbs. use with C31HD	SR-100 Tooth 850201 38.5 lbs. bucket qty. 35	S-31HD Tooth 850210 38.5 lbs. bucket qty. 35	S-31 Tooth 850208 37 lbs. bucket qty. 35
P-6000 Pilot Bit 151275 8 lbs.	604C Drag Style Teeth 140065 .55 lbs. bucket qty 50	P-30 Holder 850224 31.2 lbs. bucket qty. 12		

Flight Section Overall Lengths: 5', 10' & 20'
Standard Flight Thickness: 1/2" Single or Double
OD: 3 1/2" OD x .300" Wall
Diameters Available: 16" to 48"

The Excavator Quick Change Auger System is a versatile system which allows you to purchase the auger and then the desired head depending on your drilling needs.

With this system there is no need to purchase multiple augers, as you may use the same auger with any of the three head options.

The rock head features Pengo's Strata conical teeth. The Strata teeth were designed for the drilling industry and have been proven to last 25% longer than the standard tooth.

The dirt head features the TF-1000 pilot bit which is a three-flute pilot which will provide optimal drilling in dirt conditions.

CARRIER GUIDE:



EXCAVATOR AUGERS

STANDARD AUGERS LISTED ABOVE - Special Center Shafts and Custom Orders Available.
Custom orders cannot be canceled and are non-returnable.

Images not to scale.