

INTRODUCING TRIDENT™

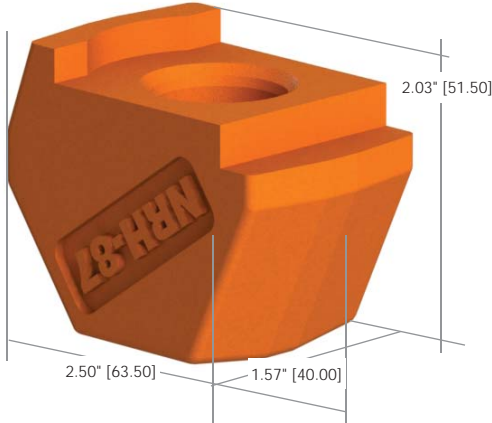
The most versatile teeth and holders on the market.

THREE TEETH. ONE HOLDER.

Non-Rotating [NR] Radial Tooth | Non-Rotating Wedge Tooth [NRW] | Strata® [SR] Rotating Conical Tooth

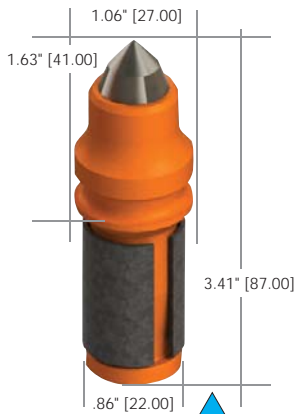
**87 Series Teeth and Holder
.87" Shank**

PATENT PENDING

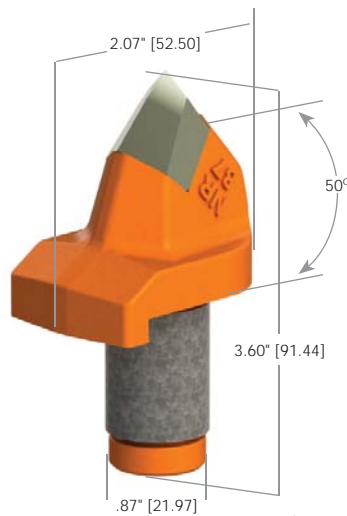


ITEM	SHANK DIA	BOX QTY	BOX WEIGHT	PART NO.
NRH-87 TRIDENT HOLDER	.86"	25	31.25	990087
NR-87 TOOTH	.86"	40	39.6	990094
SL02 TOOTH	.86"	65	32.5	850031
NRW-87 TOOTH	.86"	30	39.9	990100

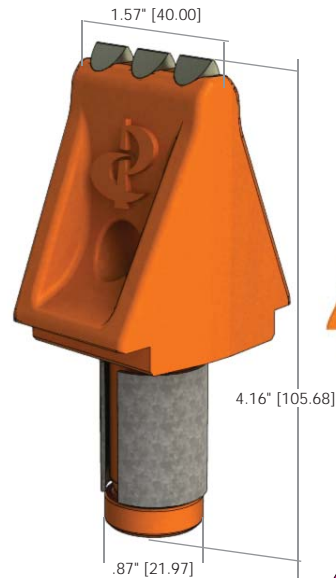
NRH-87
Trident Holder
for .87" Shank
Trident Series Teeth
990087



SL-02
Conical Tooth
850031



NR-87
Non-Rotating
Tooth
990094

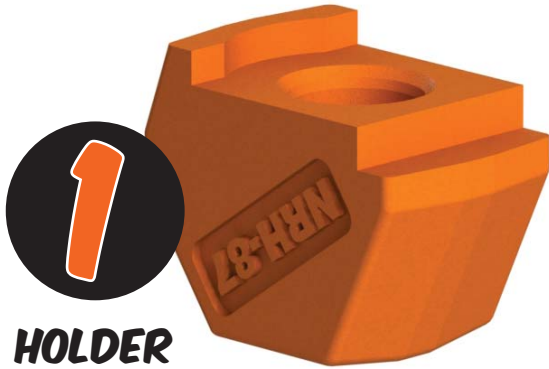


NRW-87
Non-Rotating
Wedge Tooth
990100





Pengo is excited to introduce the TriDent™ series of holders and teeth. The patent-pending TriDent™ holders are designed to work with three different types of teeth, the Strata Conical Tooth, a Non-rotating Radial Tooth and a Non-Rotating Wedge tooth. 1, 3, 7 – It's That Easy! One holder coupled with three types of teeth provide drillers seven different soil conditions to drill in. Whether it is gravel, fracturable rock or non-fracturable the TriDent™ teeth provide maximum performance over standard teeth.



1
HOLDER

**THE MOST
VERSATILE TEETH
AND HOLDERS ON
THE MARKET.**



3
TEETH



7
**DRILLING
CONDITIONS**



1	dirt; peat, organic silts, very loose sand, very soft, swamp, marsh	soil abrasion: low
2	sand; loose, fine sand; loess and medium clay, flood plain soils, lake clay	soil abrasion: med
3	silt; coarse sand to stiff clay, dense hydraulic fill, compacted fill, residual soils	soil abrasion: high
4	clay; stiff to very stiff clay, glacial till, hard-pan, marls	soil abrasion: low to med.
5	gravel; basalt, very hard silts and clay, weathered laminated rock	soil abrasion: high
6	fracturable rock; caliche, coarse gravel and cobbles; frozen soil	soil abrasion: high
7	non-fracturable rock; granite, basalt, massive limestone	soil abrasion: high