

# INTRODUCING

# TRIDENT™

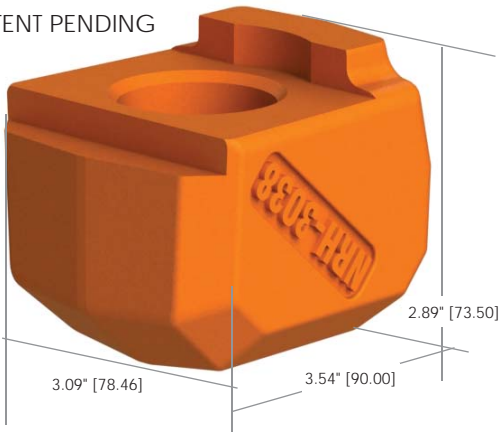
*The most versatile teeth and holders on the market.*

**THREE TEETH. ONE HOLDER.**

Non-Rotating [NR] Radial Tooth | Non-Rotating Wedge Tooth [NRW] | Strata® [SR] Rotating Conical Tooth

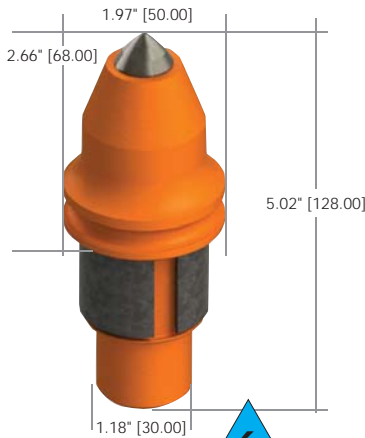
**122 Series Teeth and Holder  
1.18" Step Shank**

PATENT PENDING



ITEM	SHANK DIA	BOX QTY	BOX WEIGHT	PART NO.
NRH-3038 TRIDENT HOLDER	1.16"	6	29.16	990086
NR-122 TOOTH	1.16"	15	36.9	990089
SR-122 TOOTH	1.16"	10	26	850034
NRW-122 TOOTH	1.16"	6	27	990096

NRH-3038  
Trident Holder  
for 1.16" Step Shank  
Trident Series Teeth  
990086



SR-122  
STRATA Conical  
Tooth  
850034



NR-122  
Non-Rotating  
Tooth  
990089



NRW-122  
Non-Rotating  
Wedge Tooth  
990096





Pengo is excited to introduce the TriDent™ series of holders and teeth. The patent-pending TriDent™ holders are designed to work with three different types of teeth, the Strata Conical Tooth, a Non-rotating Radial Tooth and a Non-Rotating Wedge tooth.

1, 3, 7 – It's That Easy! One holder coupled with three types of teeth provide drillers seven different soil conditions to drill in. Whether it is gravel, fracturable rock or non-fracturable the TriDent™ teeth provide maximum performance over standard teeth.

**THE MOST VERSATILE TEETH AND HOLDERS ON THE MARKET.**

**1**  
**HOLDER**



**3**  
**TEETH**



**7**  
**DRILLING CONDITIONS**



<b>1</b>	dirt; peat, organic silts, very loose sand, very soft, swamp, marsh	soil abrasion: low
<b>2</b>	sand; loose, fine sand; loess and medium clay, flood plain soils, lake clay	soil abrasion: med
<b>3</b>	silt; coarse sand to stiff clay, dense hydraulic fill, compacted fill, residual soils	soil abrasion: high
<b>4</b>	clay; stiff to very stiff clay, glacial till, hard-pan, marls	soil abrasion: low to med.
<b>5</b>	gravel; basalt, very hard silts and clay, weathered laminated rock	soil abrasion: high
<b>6</b>	fracturable rock; caliche, coarse gravel and cobbles; frozen soil	soil abrasion: high
<b>7</b>	non-fracturable rock; granite, basalt, massive limestone	soil abrasion: high