

# NEW PRODUCT

PART NO. 615055

**INCLINOMETER**  
Easily Attach To  
Side of your Drive Unit



## TRULINE™ INCLINOMETER



**DISPLAY**  
4" Touch  
Screen  
Color Display



# GO FROM THIS

# TO THIS

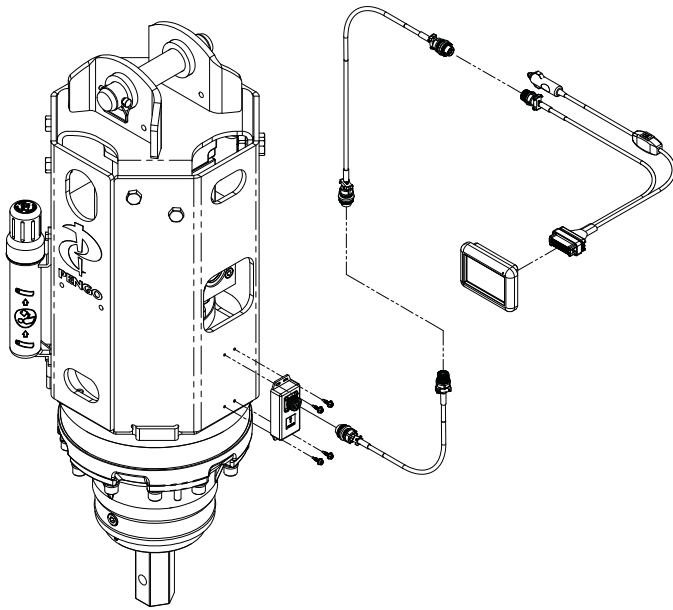


# IN MINUTES!



## FEATURES:

- Full color touch screen display with large bullseye indicator is intuitive and easy to use.
- Simple installation process, takes only minutes to install to side of drive unit.
- System has ability to set "zero" at any angle. Makes installation at any angle other than vertical zero simple.
- Various ranges of angular sensitivity can be selected depending on job requirements.
- Can be used on any type of prime mover equipment.
- Can be used on all makes and models of Drive units.
- The TruLine™ inclinometer system can convert to Pengo's TruLink® torque monitoring system.



The Pengo® TruLine™ system provides operators an easy to use inclinometer system when the job requires accuracy. TruLine™ was developed to show the operator real time angular data (fore and aft plus left and right) during drilling or screw anchor applications.

The TruLine™ user interface is a 4" touch screen display that can be easily mounted within the operating cab of most prime movers. The rugged display is housed in an IP67 rated weather and shock proof casing. The high visibility touch screen allows the operator to easily interface with the system during operation. The intuitive layout of the display indicates inclinometer data in real time.

The TruLine™ inclinometer module is easily installed to the outer surface of the Drive unit. TruLine™ can be used on all makes and models of Drive units. All electronics are completely sealed for use in all installation environments.

The TruLine™ system comes standard with 15' of cable with cable extensions available for larger prime movers such as large excavators and telescopic equipment.

An exclusive feature of the TruLine™ system is that it can be converted to Pengo's torque monitoring system TruLink®. Both systems use the same display, power harness and data cables which makes conversion simple. Contact your Pengo sales representative to learn more about how to convert your TruLine™ to a TruLink®.

## TRULINE™ PART NO. 615055



## What's In The Box!

- 1) 4.3" TOUCH SCREEN DISPLAY**  
CAN-based display module with a 4.3" TFT LCD touch screen. Windows CE operating platform. Input power supply range from 9 V to 32 V. Operating temperature range of -20 C to +70 C. IP67 (ingress protection) allows for outdoor use if required. USB port for data export.
- 2) INCLINOMETER MODULE**  
Contains inclinometer. Module mounts the any external surface on the Drive unit. Includes mounting screws.
- 3) DISPLAY POWER HARNESS (4.3" DISPLAY)**  
Wire harness provides power to the display via auxiliary power coupler. Aux power coupler plugs into the auxiliary (cigarette lighter) port. Wire harness also connects to the main cable which links the TruLine inclinometer to the display.
- 4) CABLE MAIN 15'**  
Wire harness provides power to the display and CAN logger via a auxiliary power coupler. Aux power coupler plugs into the auxiliary (cigarette lighter) port. Wire harness also connects the display and CAN logger to the electrical cable running to the Anchor Drive wire harness.
- 5) 4.3" DISPLAY MOUNT**  
Mount is used to position the touch screen display within the operators cab. Mount can be used with suction cups (provided) or hard mounted using hardware (not provided).
- 6) DISPLAY PROTECTIVE / STORAGE CASE**  
Waterproof and impact resistant protective case. Used to store the TruLine display when not in use.
- 7) STYLUS**  
Silicone tipped stylus, used as a section tool for the touch screen display.